



AIR CONDITIONING CATALOG **2024**





TABLE OF CONTENTS

SEVRA - About the Brand	4
Range of units	6
Features and Functions of SEVRA Air Conditioners	8
Room Air Conditioners (RAC)	28
J-Smart	30
Premium	34
MULTI Systems	38
Functions	40
Outdoor Units	42
Wall-Mounted Units	46
Floor-Ceiling Units	48
Cassette Units	50
Duct Units	52
LCAC Systems	54
Commercial Unit Features	56
Floor-Ceiling Units	58
Cassette Units	60
Duct Units	62
Controllers	64
Dimensional Drawings	68

ABOUT THE BRAND

The SEVRA brand was launched in 2019. SEVRA air conditioning systems are high-quality, energy-efficient, and reliable units designed for residential and commercial buildings. Created with a focus on maximum comfort and safety, they feature a modern, timeless design and are available at attractive, competitive prices.





COMFORT AND SAFETY

Our products are designed to enhance comfort and air quality in the spaces we inhabit daily—whether at home, in the office, store, or restaurant. A well-chosen air conditioning system not only supports our well-being but can also contribute to better health by creating a safe, pollution-free environment.



TOP QUALITY

We want to ensure that we deliver devices that meet the highest standards of quality and safety. That's why every SEVRA air conditioner undergoes rigorous quality control processes before being launched on the market to meet the expectations of the most demanding users.

















ECOLOGICAL COMMITMENT

We understand the importance of caring for the natural environment. SEVRA embodies technologically advanced, eco-friendly solutions from the production process through to the final product specification. Our air conditioners achieve the highest standards of energy efficiency, providing effective performance while minimizing energy consumption.



















RANGE OF UNITS

Room Air Conditioners (RAC)

Model	Cooling Capacity [kBtu/h]			
	09	12	18	24
Premium Series SEV-(09/12)QP SEV-(18/24)QV   				
	SEV-09QP	SEV-12QP	SEV-18QV	SEV-24QV
J-Smart Series SEV-(09/12/18/24)JO   				
	SEV-09JO	SEV-12JO	SEV-18JO	SEV-24JO














Air conditioning units contain fluorinated greenhouse gases R32.
The energy efficiency class is specified for operation in cooling mode.

MULTI SPLIT Systems Outdoor units

Cooling Capacity [kBtu/h]					
14	18	21	27	36	42
Outdoor units MULTI SEV-2M14 2 ports  	Outdoor units MULTI SEV-2M18 2 ports  	Outdoor units MULTI SEV-3M21 3 ports  	Outdoor units MULTI SEV-3M27 3 ports  	Outdoor units MULTI SEV-4M36 4 ports  	Outdoor units MULTI SEV-5M42 5 ports  
					










Air conditioning units contain fluorinated greenhouse gases R32.
The energy efficiency class is specified for operation in cooling mode.

MULTI SPLIT Systems Indoor units

Model	Cooling Capacity [kBtu/h]				
	07	09	12	18	24
Wall-Mounted Units MULTI SEV-(09/12/18/24)JO/I    		SEV-09JO/I	SEV-12JO/I	SEV-18JO/I	SEV-24JO/O
Floor-Ceiling Units MULTI SEV-(09/12/18)MF   	-	SEV-09MF	SEV-12MF	SEV-18MF	-
Cassette Units MULTI SEV-(09/12/18)MC   	-	SEV-09MC	SEV-12MC	SEV-18MC	-
Duct Units MULTI SEV-(07/09/12/18)MD   	SEV-07MD	SEV-09MD	SEV-12MD	SEV-18MD	-

Air conditioning units contain fluorinated greenhouse gases R32.
The energy efficiency class is specified for operation in cooling mode.

Small Commercial Systems (LCAC)

Model	Cooling Capacity [kBtu/h]						
	12	18	24	36	42	48	60
Cassette Units LCAC SEV-(12/18/24/36/42/48/60)CAC   	SEV-12CAC	SEV-18CAC	SEV-24CAC	SEV-36CAC	SEV-42CAC	SEV-48CAC	SEV-60CAC
Duct Units LCAC SEV-(18/24/36/42/48/60)CAD   	-	SEV-18CAD	SEV-24CAD	SEV-36CAD	SEV-42CAD	SEV-48CAD	SEV-60CAD
Floor-Ceiling Units LCAC SEV-(18/24/36/42/48/60)CAF   	-	SEV-18CAF	SEV-24CAF	SEV-36CAF	SEV-42CAF	SEV-48CAF	SEV-60CAF

Air conditioning units contain fluorinated greenhouse gases R32.
The energy efficiency class is specified for operation in cooling mode.

IN CARE OF HEALTH



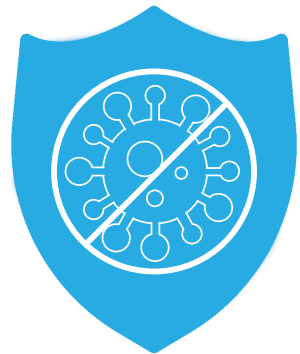
UV Technology

UV technology uses special UV lamps that are an integral part of the air conditioner and effectively eliminate viruses, fungi, and microorganisms. This allows users to enjoy clean and healthy air.



Cold Plasma Ionizer

The indoor unit of the air conditioner is equipped as standard with a Cold Plasma ionizer, which effectively removes unpleasant odors and harmful substances from the air in the room. The ionizer releases ions into the air flowing through the air conditioner, neutralizing dangerous particles present in it.



Sterilization at 57°C

The heat exchanger maintains a high temperature of 57°C and keeps it for a period to ensure the best sterilization effect.



Self-Cleaning Function

With the comprehensive self-cleaning function, the air conditioner's interior is kept clean by eliminating moisture and inhibiting the growth of bacteria, mold, and unpleasant odors on the heat exchanger. This ensures a clean and safe environment for the user.



Honeycomb Structure Filter

The honeycomb structure air filter effectively captures airborne pollutants such as dust and particulates.



High-Density Filter

The air conditioner is equipped with a high-density filter that is significantly more effective at capturing airborne pollutants, including dust and particulate matter.



Washable Air Filter

The indoor unit's air filter can be easily removed and cleaned under running water, allowing for the maintenance of high device efficiency and air quality.



Durable Air Filter

The indoor unit's air filter can be easily removed and cleaned. The filter is resistant to repeated cleaning, significantly extending its lifespan.



Antibacterial Filter

The indoor unit's air filter can be easily removed and cleaned under running water, helping to maintain high device efficiency and air quality.



Optional Air Filters

There is an option to equip the air conditioner with a system of additional filters that thoroughly purify the air in the room and improve its quality: silver ion filter, activated carbon filter, enzymatic filter, PM2.5 filter, antibacterial filter, and vitamin C filter.



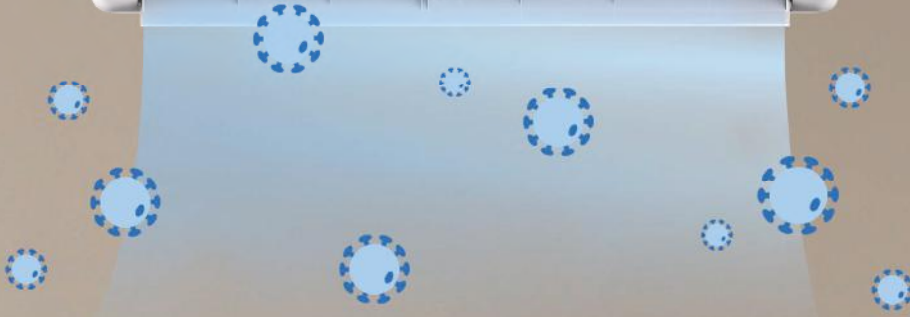
Filter Dirtiness Indicator

The indoor unit display shows a notification for filter cleaning, assisting in maintaining fresh and healthy air in the room.



Mold Protection Function

After operation and shutdown, the air conditioner automatically begins to dry the moisture accumulated on the indoor unit's evaporator, preventing the growth of mold inside the device.





STERILIZATION AT 57°C

The heat exchanger maintains a high temperature of 57°C for a sufficient duration to ensure the best sterilization effect, effectively eliminating microorganisms, bacteria, and viruses.



ADVANCED FILTRATION

SEVRA air conditioners come standard with a basic high-density air filter that effectively captures airborne pollutants such as dust and particulates. To make the environment in the air-conditioned room as clean and safe as possible, the standard features of the air conditioner can be supplemented with a range of optional filters, creating an advanced, multi-layered air filtration system.



SELF-CLEANING FUNCTION

Upon activation of the self-cleaning function, the air conditioner starts in cooling mode with a low fan speed. During this time, condensed water collects the dust accumulated on the heat exchanger fins of the indoor unit. The device then switches to heating mode while the fan continues to operate at low speed—this warm air dries the interior of the unit. Finally, the air conditioner activates the fan mode and blows out the humid air. This entire process keeps the interior of the indoor unit dry and prevents the growth of bacteria and mold.



WE CARE ABOUT YOUR COMFORT



TURBO Function

The TURBO function allows for rapid cooling/heating of the room by maximizing the fan speed of the indoor unit (using the highest fan setting).



Quiet Operation Mode

In quiet operation mode, the indoor unit of the air conditioner operates at a reduced sound pressure level, providing comfortable conditions in the room without unnecessary noise.



Moving Air Louvers

The unit is equipped with moving air louvers that ensure better air circulation and even temperature distribution in the air-conditioned space.



Long-Distance Airflow Function

The efficient fan of the indoor unit can blow conditioned air up to 15 meters away, making it suitable for large spaces.



Horizontal Air Louver Movement

With the horizontal movement of the air louvers left and right, the blown air can reach every corner of the room, even in larger spaces. The louvers can be set in several fixed positions or selected for „horizontal swing,” which provides continuous left-right motion.



Vertical Air Louver Movement

With the vertical movement of the air louvers—up and down—the blown air is evenly distributed throughout the height of the room. The louvers can be set in several fixed positions or selected for „vertical swing,” providing continuous up-down motion.



4D Airflow

The air louvers of the indoor unit move automatically in both vertical and horizontal planes, allowing the conditioned air to be distributed in all directions (simultaneous vertical and horizontal swing).



Anti-Cold Function

When heating mode is activated, the indoor unit's fan operates at the lowest speed to avoid blowing cold air. The airflow speed is automatically increased as the evaporator temperature rises, until it reaches the set level.



Night Mode

When the sleep function is activated, the unit raises the set temperature by 1°C per hour during the first two hours of operation in cooling mode (in heating mode, it lowers the temperature at the same rate). For the next five hours, it maintains the achieved temperature at a constant level before shutting off.



360° Multi-Directional Airflow

Additional air openings in the corners of the cassette unit's panel allow air to be blown in all directions (360° airflow mode). This ensures even distribution of conditioned air in the room and optimal conditions even in large areas.



“I FEEL” Function

The intelligent temperature reading feature “I FEEL” allows for precise adjustment of the airflow temperature to the conditions currently present in the room, maximizing comfort while minimizing energy consumption.



“Light Sensation” Light Sensor Function

This feature detects whether the room lighting is on or off. When the light is off and the interior is dark, the air conditioner automatically switches to low fan speed, reducing noise and creating a comfortable sleeping environment for users.



Intelligent Backlighting

Thanks to a special sensor, the brightness of the LED display on the front panel of the indoor unit is automatically adjusted to the surrounding light intensity, ensuring optimal visibility.



Fast Cooling/Heating

Thanks to inverter technology, the air conditioning system can quickly achieve full efficiency shortly after startup, ensuring rapid attainment of the desired temperature in the room.





MULTI-DIRECTIONAL AIRFLOW

SEVRA wall-mounted units are equipped with horizontal (or both horizontal and vertical, depending on the model) movable air louvers. This allows users to control airflow and set the direction of air discharge according to their preferences. The ability to move the louvers up and down as well as left and right ensures better distribution of conditioned air throughout the room and an even temperature balance. This feature ensures that cooled air reaches every corner of the room, regardless of where the unit is installed.



NIGHT OPERATION MODE

During the active night operation function (sleep mode), the indoor unit will operate according to the preset temperature curve for night mode, creating a comfortable, quiet environment that improves sleep quality. When the sleep function is activated, the unit raises the set temperature by 1°C per hour during the first two hours of cooling mode (and lowers the temperature at the same rate in heating mode). For the next five hours, it maintains the achieved temperature at a constant level, after which the air conditioner turns off. This provides the highest comfort for users during night rest while reducing energy consumption by the unit.





IFEEL FUNCTION

The intelligent temperature reading function „I FEEL” allows for precise adjustment of the airflow temperature to the current conditions in the room. Thanks to the built-in temperature sensor in the remote control, the air conditioner knows the exact temperature in the room, allowing it to achieve optimal temperature and maximum comfort with low energy consumption.



ANTI-COLD FUNCTION

In the initial moments after starting the air conditioner in heating mode, when the heat exchanger is not yet sufficiently warmed up, users might be exposed to uncomfortable cold air blowing. Thanks to the „Anti-Cold” function, during the initial stage of operation in heating mode, the indoor unit’s fan runs at the lowest speed and gradually increases its speed as the temperature of the heat exchanger rises, until it reaches the set level.



FOR YOUR CONVENIENCE



Self-Diagnosis

The unit monitors for malfunctions and shuts down in case of a fault. An error code appears on the display of the indoor unit (or on the wired controller), indicating the type of malfunction, which significantly facilitates service actions.



LED Display

The modern LED display located on the front panel of the indoor unit allows for clear presentation of the current status and operating functions of the device. When the air conditioner is turned off, the display is invisible.



Programmable Timer

The timer function allows the user to set the exact time for the automatic turn-on and turn-off of the air conditioner.



Digital Display

The digital display panel shows the current operating mode of the device. Parameters such as room temperature and operating mode are displayed continuously in a clear manner.



Easy and Quick Installation

The design of the air conditioner incorporates features that enable installation to be as quick and straightforward as possible.



Dual Condensate Drainage

The piping for the refrigerant supply and condensate drainage can be connected from either the left or right side of the indoor unit, significantly simplifying the adaptation of the installation location to the layout of the room.



Compact Design

The indoor unit's casing has small dimensions, making the air conditioner ideal for rooms with limited installation space.



AUTO DIAGNOSTIC FUNCTION

The device monitors for malfunctioning and shuts down in the event of a failure. An error code appears on the display of the indoor unit, indicating the type of fault, which significantly facilitates service actions.



 **HIDDEN LED DISPLAY**

All SEVRA wall-mounted units from the RAC series of air conditioners feature a modern LED display integrated into the front panel. It clearly shows the user the current operating status of the device, including the current temperature settings. When the air conditioner is turned off, the display is completely invisible.

 **PROGRAMMABLE TIMER**

The timer in SEVRA units allows the user to set the desired time for the air conditioner to turn on and off. This prevents excessive use of the device. Additionally, with the AC Freedom app, users have access to a weekly timer that enables them to program the on and off times for the air conditioner on specific days.



HIGH RELIABILITY



Inverter Technology

The advanced inverter technology used in all Sevra devices guarantees high efficiency and reliability of operation, as well as energy savings and lower noise levels.



Refrigerant R32

The unit operates using the latest environmentally friendly refrigerant R32, which has higher efficiency and a lower global warming potential compared to refrigerant R410A. It also does not harm the ozone layer.



Automatic Restart

In the event of a power outage, the device remembers the last settings and automatically restarts with the previously set operating mode once power is restored.



Intelligent Defrosting

The intelligent defrosting system allows for nearly uninterrupted operation of the air conditioner in heating mode. The defrost mode is activated only when necessary and only for the time required to defrost the exchanger, enabling more efficient unit operation while heating the space.



Gold-Plated Fins

The unique gold coating on the heat exchanger surface effectively prevents the growth of bacteria and improves the unit's efficiency. It also protects the heat exchanger surface from corrosion, extending the device's lifespan.



Blue Coated Fins

The unique blue coating on the heat exchanger effectively protects its surface from corrosion, extending the device's lifespan.



Low Voltage Start

The air conditioner starts stably at voltages as low as 130 V, making it suitable for use in areas with unstable power supply.



Super EMC

All Sevra products are tested for electromagnetic compatibility.



Cooling at Low Outdoor Temperatures

High-quality components, such as a high-performance compressor and a quality heat exchanger, ensure reliable operation of the air conditioner in cooling mode even at very low outdoor temperatures, down to -15°C.



Heating at Low Outdoor Temperatures

High-quality components, such as a high-performance compressor and a quality heat exchanger, ensure reliable operation of the air conditioner in heating mode even at very low outdoor temperatures, down to -15°C.



High ESP

The adjustable static pressure up to 160 Pa allows for greater flexibility in designing the installation, enabling the distribution of ventilation ducts over long distances.



Built-in Condensate Pump

The unit is equipped with a high-lift condensate pump, allowing for flexible connection of the condensate drainage piping in a suspended ceiling space.



Hydrophilic Aluminum Fins

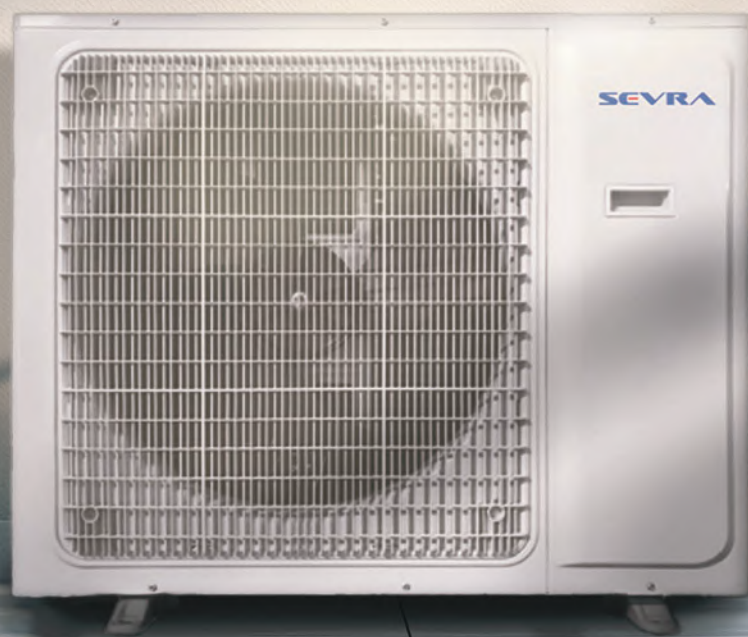
Fins coated with a hydrophilic layer increase efficiency by 10% and improve condensation speed.



Fire-Resistant Electrical Box

The device is equipped with a highly fire-resistant electrical box, preventing potential fire hazards in the event of a short circuit within the box's installation.







RELIABLE ROTARY COMPRESSOR

The inverter rotary compressor used in Sevra air conditioners guarantees reliable and efficient operation of the devices, as well as the highest energy efficiency parameters. It also ensures low operating costs and a low level of generated noise. Durable, high-quality materials used in the compressor's construction contribute to its long-lasting and trouble-free operation.



INTELLIGENT DEFROSTING

The intelligent defrosting system enables nearly uninterrupted operation of the air conditioner in heating mode. The defrost mode is activated only when necessary and only for the time required to defrost the exchanger, allowing for more efficient operation of the unit while heating the room.



DRAIN PAN HEATER

The drain pan heater prevents the accumulation of excess snow and ice in the unit. This ensures that the unit operates correctly even in very unfavorable weather conditions.



GOLD-COATED FIN TUBES

The heat exchanger surfaces in both the indoor and outdoor units are coated with a unique gold finish, which effectively prevents the growth of bacteria and enhances the heating efficiency of the devices. This coating is also more resistant to oxidation and corrosion than standard blue coatings, further extending the lifespan of the unit.

FAVORABLE FOR ENERGY SAVINGS



ECO Mode Energy Saving

When the energy-saving function is activated, the air conditioner operates with reduced electricity consumption, allowing for maximum reduction in power costs.



Standby Mode

In „Standby“ mode, the specially designed PCB and disconnection of power from unused components allow the air conditioner to reduce electricity consumption to as low as 0.5 W per hour.

Technical specifications, appearance, and functions of the devices may change without prior notice.
The images of the devices are for illustrative purposes only; the actual appearance may differ from what is presented.



ECO - ECONOMIC OPERATING MODE

The energy-saving function enables the device to operate in cooling mode with reduced electricity consumption. This allows for maximum reduction in power costs while maintaining a high level of comfort in the room. The mode will automatically turn off after 8 hours of operation.





A++

A+

HIGH FUNCTIONALITY



Cooling Mode

In cooling mode, the air conditioner lowers and maintains the room temperature at the level set by the user.



Fan Mode

In fan mode, air circulation is forced in the room without changing its temperature—air is circulated without cooling or heating.



Automatic Mode

In AUTO mode, the air conditioner automatically selects the working mode and the best fan speed based on the current conditions in the room.*

*In automatic mode, the target temperature set by the program that the air conditioner will aim for is 25°C or 24°C, depending on the model of the device.



Heating Mode

Heating mode allows the air conditioner to be used year-round, even during cooler months. By changing the direction of the refrigerant flow, the device can heat the air in the room, serving as an alternative to traditional heating systems.



Dehumidifying Mode

In dehumidifying mode, the air conditioner reduces the humidity level in the room to an optimal value, automatically adjusting the temperature and airflow to achieve the best conditions for dehumidification. This prevents the development of various airborne pollutants (mold, mildew, bacteria) and provides a greater sense of comfort.



8°C Heating Mode

This function enables the maintenance of a constant temperature of +8°C in heating mode during winter, preventing the room from getting too cold.



Built-in WiFi Module

The built-in WiFi module allows for controlling the air conditioner's operation from a smartphone, tablet, or computer connected to the Internet, from anywhere in the world.



Wireless Controller

The wireless remote allows for remote control of the air conditioner's operation—turning the unit on and off, and selecting settings and functions, including operating mode, airflow temperature, fan speed, and airflow direction.



Wired Controller

The wired controller is installed on the wall in the room where the air conditioner is located.



Central Controller

The central wired controller allows for managing the entire air conditioning system—multiple indoor units can be controlled using this device.

All SEVRA models from the RAC room air conditioner series come standard with an intuitive and user-friendly wireless remote control, allowing for convenient management of the device's operating parameters, such as operating mode, temperature, fan speed, and air louver settings. Additionally, all RAC wall-mounted units are equipped with a built-in WiFi module, enabling remote control of the device's operation using mobile devices, such as a smartphone or tablet, even when users are away from home.



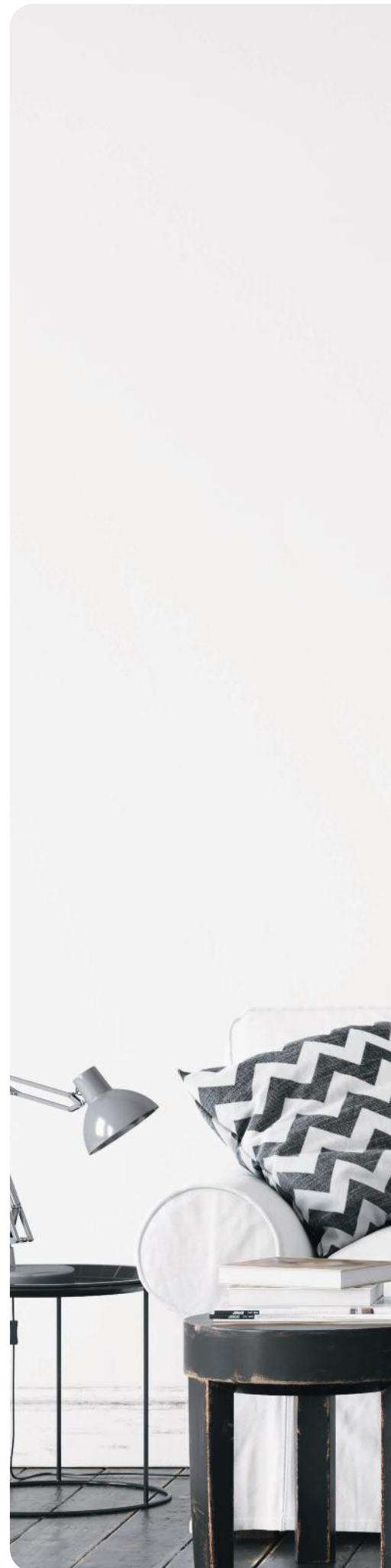


WI-FI CONTROL

Controlling the air conditioner has never been easier. All models in the RAC Sevra series of room air conditioners come standard with a Wi-Fi module. This allows for convenient operation of the device using mobile devices such as smartphones or tablets, even when you are away from home. The control over the air conditioner is further enhanced by a range of features that allow users to customize the operating parameters to their preferences. The timer function enables precise programming of the automatic on and off times for the device.



Technical specifications, appearance, and functions of the devices may change without prior notice.
The images of the devices are for illustrative purposes only; the actual appearance may differ from what is presented.







ROOM AIR CONDITIONERS



NEW!

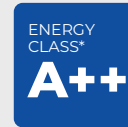
Series

J-SMART

ROOM AIR CONDITIONERS
SEV-(09/12/18/24)JO



Wireless
Controller
type T included.



Innovative Design Solutions

The J-Smart series air conditioners feature a reinforced, damage-resistant housing with a removable bottom cover, patented vertical air louvers shaped like fish fins, and a dual-layer horizontal air louver that perfectly adjusts the airflow direction according to the unit's operating mode. The white housing with gray accents, characterized by its simple form and matte finish, aligns well with current design trends.

Rich Array Functions

The units come equipped with a rich array of built-in functions, including the 8°C heating mode, UV sterilization, night mode, and the Anti-Cold-Air function. Managing the air conditioner's functions and modes is possible via the included remote control or through a mobile app.

 Inverter Technology	 Refrigerant R32	 Automatic Restart	 Super EMC	 Intelligent Defrosting	 Low Voltage Start	 Gold-Plated Fins	 Fast Cooling/Heating	 Standby Mode	 ECO Mode - Energy Saving
 TURBO Function	 High-Density Filter	 Mold Protection Function	 Sterilization at 57°C	 Hydrophilic Aluminum Fins	 Movable Air Louvers	 Vertical Air Louver Movement	 Anti-Cold Function	 "I FEEL" Function	 Night Mode
 PM 2,5 Filter	 Self-Cleaning Function	 Antibacterial Filter	 Optional Air Filters	 UV Sterilization	 LED Display	 Auto Diagnostic Function	 Programmable Timer	 Dual Condensate Drainage	 Easy and Quick Installation
 Build-In Wifi Module	 Wireless Controller	 Cooling Mode	 Heating Mode	 Fan Mode	 Dehumidification Mode	 Automatic Mode	 4D Airflow	 8 °C Heating Mode	 Condensate tray heater

Air conditioning units contain fluorinated greenhouse gases R32.
Technical specifications, appearance, and functions of the devices are subject to change without prior notice.
Images of the devices are for illustrative purposes only; the actual appearance may differ from what is shown.

* The energy efficiency class is provided for operation in cooling mode.



J-SMART



Effective UV Lamp Sterilization

The J-Smart models feature a built-in UV lamp that ensures clean and healthy air. UV sterilization effectively purifies the air by eliminating viruses, fungi, and microorganisms. This function is especially recommended for allergy sufferers and individuals prone to infections.



Simplicity, Minimalism, Modernity

The J-Smart series of air conditioners is characterized by a minimalist, economical design. The snow-white casing with gray elements, simple in form with subtle curves, is made from easy-to-clean and durable ABS material. Perfectly matched casing components and a smooth matte surface give the unit a uniform, aesthetic appearance. The only decorative element is a delicate silver profile above the air vent.

Advanced Filtration

The J-Smart series of air conditioners comes standard with a high-density filter, PM 2.5 filter, and antibacterial filter that purify the air from dust and impurities, ensuring clean air free from unpleasant odors.



J-SMART



Wireless
Controller
type T included.

Model			SEV-09JO	SEV-12JO	SEV-18JO	SEV-24JO
Capacity	Cooling	[kW]	2,70 (0,60 - 4,00)	3,50 (0,80 - 4,10)	5,30 (1,30-5,70)	7,20 (1,80-7,40)
	Heating	[kW]	3,00 (0,80 - 4,20)	3,80 (1,00 - 4,20)	5,30 (1,30-5,50)	7,20 (1,80-8,00)
Energy Consumption	Cooling	[W]	820	1180	1650	2200
	Heating	[W]	800	1100	1470	2200
Operating Current	Cooling	[A]	3,80	5,60	7,80	10,00
	Heating	[A]	3,70	4,90	6,50	9,50
Maximum Current Consumption		[A]	9,5	9,5	12,00	16,00
Maximum Power Consumption		[W]	1800	1900	2500	3400
SEER		[-]	6,20	6,19	6,80	6,53
SCOP		[-]	4,00	4,03	4,00	4,09
Energy Efficiency Class	Cooling	[-]	A++	A++	A++	A++
	Heating	[-]	A+	A+	A+	A+
Power Supply		[V-Ph-Hz]	220-240V-1-50Hz	220-240V-1-50Hz	220-240V-1-50Hz	220-240V-1-50Hz
Indoor Unit		[-]	SEV-09JO/I	SEV-12JO/I	SEV-18JO/I	SEV-24JO/I
Airflow (T/Hi/Mid/Low)		[m³/h]	600/540/500/430	600/550/500/400	900/730/650/550	1300/1200/1010/870
Sound Power Level		[dB(A)]	54	53	59	63
Indoor Unit Dimensions		[mm]	792x292x201	792x292x201	904x316x224	1132x330x232
Indoor Unit Weight		[kg]	8,0	8,5	11,0	14,0
Outdoor Unit		[-]	SEV-09JO/O	SEV-12JO/O	SEV-18JO/O	SEV-24JO/O
Sound Power Level		[dB(A)]	61	62	62	66
Piping	Max. Piping Length	[m]	20	20	25	30
	Max. Height Difference	[m]	10	10	15	15
Pipe Connections (Diameter)	Liquid	[mm(in)]	1/4	1/4	1/4	1/4
	Gas	[mm(in)]	3/8	3/8	1/2	5/8
Refrigerant	Type	[-]	R32	R32	R32	R32
	Factory Charge (up to 5m)	[g]	550	560	850 (do 7m)	1300 (do 7m)
	Additional Charge	[g/m]	20	20	25	30
	GWP	[-]	675	675	675	675
Operating Range (Outside Temperature)	Cooling	[°C]	-10	-10	-10	-10
	Heating	[°C]	-22	-22	-22	-22
Outdoor Unit Dimensions		[mm]	705x530x279	705x530x279	785x555x300	900x700x350
Outdoor Unit Weight		[kg]	21,5	22,5	27,0	39,0

Air conditioning units contain fluorinated greenhouse gases R32.
Technical specifications, appearance, and functions of the devices are subject to change without prior notice.
Images of the devices are for illustrative purposes only; the actual appearance may differ from what is shown.

* The energy efficiency class is provided for operation in cooling mode.



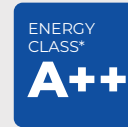
Series

PREMIUM



Wireless
Controller
type T included.

ROOM AIR CONDITIONERS
SEV-(09/12/18/24)QP/QV



Minimalism and Timeless Design

The Sevra Premium air conditioner embodies a minimalist and timeless aesthetic. Its slim, white front panel is accentuated with a stylish silver horizontal profile, adding character and a modern touch to the unit. Its compact and flat casing allows it to seamlessly integrate into any interior decor.

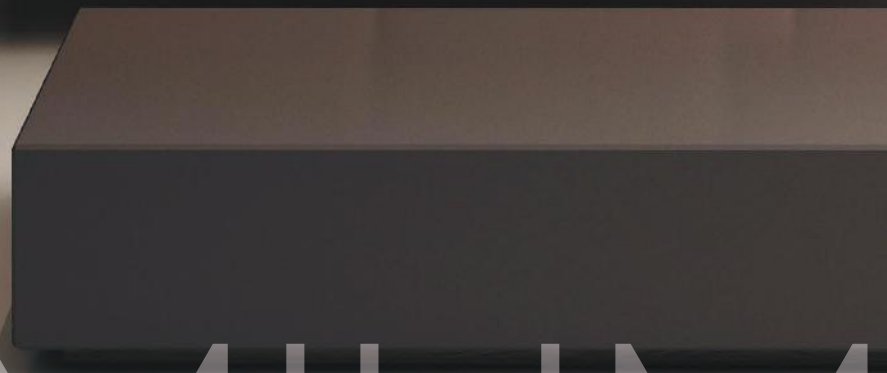
Top Performance Specifications

The entire Premium series stands out with exceptional energy efficiency, even under extreme outdoor conditions. This is confirmed by its high energy efficiency rating of A++ in cooling mode and A+ in heating mode. As a result, the Premium air conditioner ensures reliable performance, providing the most comfortable conditions indoors during both hot summers and cold winters.

 Inverter Technology	 Refrigerant R32	 Automatic Restart	 Super EMC	 Intelligent Defrosting	 Hydrophilic Aluminum Fins	 Gold-Plated Fins	 Heating in low temperatures	 Standby Mode	 ECO Mode - Energy Saving
 TURBO Function	 PM 2,5 Filter	 Sterilization at 57°C	 Mold Protection Function	 4 fan speeds	 Horizontal Air Louver Movement	 Vertical Air Louver Movement	 Anti-Cold Function	 "I FEEL" Function	 Night Mode
 High-Density Filter	 Self-Cleaning Function	 Antibacterial Filter	 Optional Air Filters	 UV Sterilization	 LED Display	 Auto Diagnostic Function	 Programmable Timer	 Dual Condensate Drainage	 Easy and Quick Installation
 Build-In Wifi Module	 Wireless Controller	 Cooling Mode	 Heating Mode	 Fan Mode	 Dehumidification Mode	 Automatic Mode	 4D Airflow	 8 °C Heating Mode	 Condensate tray heater**

Air Conditioning Units Contain Fluorinated Greenhouse Gases R32
Technical specifications, appearance, and features of the units are subject to change without prior notice.
Images are for illustrative purposes only; the actual appearance may vary.

* Energy efficiency rating applies to cooling mode.
** Applicable to models SEV-18QV and SEV-24QV.



PREMIUM



Convenient and Simple Control

Controlling the air conditioner has never been easier. Like all models in the Sevra RAC room air conditioner series, the Premium model is equipped with a standard Wi-Fi module. This allows convenient control of the device via mobile devices, such as a smartphone or tablet, even when you're away from home.



Guaranteed Highest Comfort

Enjoy a pleasant, gentle airflow. Premium air conditioners offer a complete set of functions to ensure the highest level of comfort in the room. Air louvers moving in both vertical and horizontal planes provide excellent air distribution and an even temperature spread.



Advanced 57-Degree Sterilization

The Premium series air conditioners feature a 57-degree Celsius sterilization function. The heat exchanger maintains a high temperature of 57 degrees for a set time to ensure the best sterilization effect.



PREMIUM



Wireless
Controller
type T included.

Model			SEV-09QP	SEV-12QP	SEV-18QV	SEV-24QV
Capacity	Cooling	[kW]	2,70 (0,60 - 3,80)	3,50 (0,80 - 4,10)	5,40 (1,30 - 5,80)	6,70 (1,80 - 7,40)
	Heating	[kW]	2,90 (0,80 - 4,20)	3,80 (1,00 - 4,20)	5,60 (1,30 - 6,00)	7,20 (1,80 - 8,20)
Energy Consumption	Cooling	[W]	800	1180	1700	2200
	Heating	[W]	850	1100	1600	2200
Operating Current	Cooling	[A]	3,80	5,60	7,50	10,00
	Heating	[A]	4,10	4,90	7,00	9,50
Maximum Current Consumption		[A]	9,5	9,5	12,0	16,0
Maximum Power Consumption		[W]	1900	1900	2400	3400
SEER		[-]	6,2	6,1	7,3	6,1
SCOP		[-]	4,00	4,00	4,3	4,0
Energy Efficiency Class	Cooling	[-]	A++	A++	A++	A++
	Heating	[-]	A+	A+	A+	A+
Power Supply		[V-Ph-Hz]	220-240, 50, 1	220-240, 50, 1	220-240, 50, 1	220-240, 50, 1
Indoor Unit		[-]	SEV-09QP/I	SEV-12QP/I	SEV-18QV/I	SEV-24QV/I
Airflow (T/Hi/Mid/Low)		[m³/h]	600/550/500/400	600/550/500/400	950/800/700/600	1300/1200/1010/870
Sound Power Level		[dB(A)]	54	54	58	63
Indoor Unit Dimensions		[mm]	761 x 295 x 200	761 x 295 x 200	960 x 316 x 212	1090 x 328 x 227
Indoor Unit Weight		[kg]	7,5	7,5	11,0	12,5
Outdoor Unit		[-]	SEV-09QP/O	SEV-12QP/O	SEV-18QV/O	SEV-24QV/O
Sound Power Level		[dB(A)]	63	63	62	66
Piping	Max. Piping Length	[m]	20	20	25	25
	Max. Height Difference	[m]	10	10	15	15
Pipe Connections (Diameter)	Liquid	[mm(inch)]	1/4	1/4	1/4	1/4
	Gas	[mm(inch)]	3/8	3/8	1/2	5/8
	Condensate	[mm]	16	16	16	18
Refrigerant	Type	[-]	R32	R32	R32	R32
	Factory Charge (up to 5m)	[g]	560	560	1030	1300
	Additional Charge	[g/m]	15	15	25	30
	GWP	[-]	675	675	675	675
Operating Range (Outside Temperature)	Cooling	[°C]	-10	-10	-10	-10
	Heating	[°C]	-20	-20	-22	-22
Compressor Type		[-]	rotacyjna	rotacyjna	rotacyjna	rotacyjna
Outdoor Unit Dimensions		[mm]	705 x 279 x 530	705 x 279 x 530	785 x 300 x 555	900 x 700 x 350
Outdoor Unit Weight		[kg]	22,5	22,5	28,0	39,0

Air conditioning units contain fluorinated greenhouse gases R32.
Technical specifications, appearance, and functions of the devices are subject to change without prior notice.
Images of the devices are for illustrative purposes only; the actual appearance may differ from what is shown.

* The energy efficiency class is provided for operation in cooling mode.



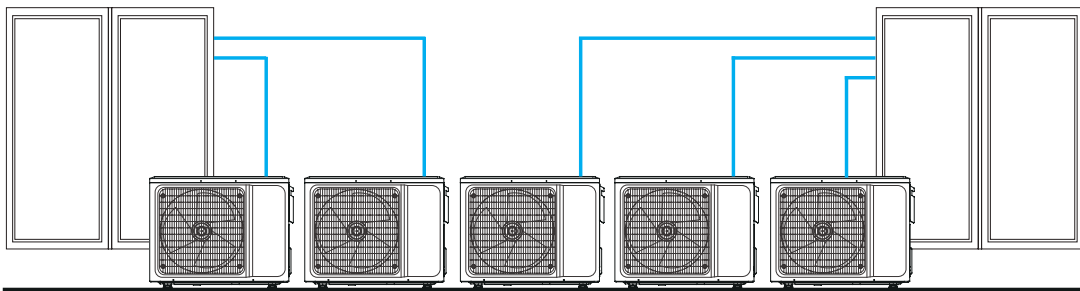




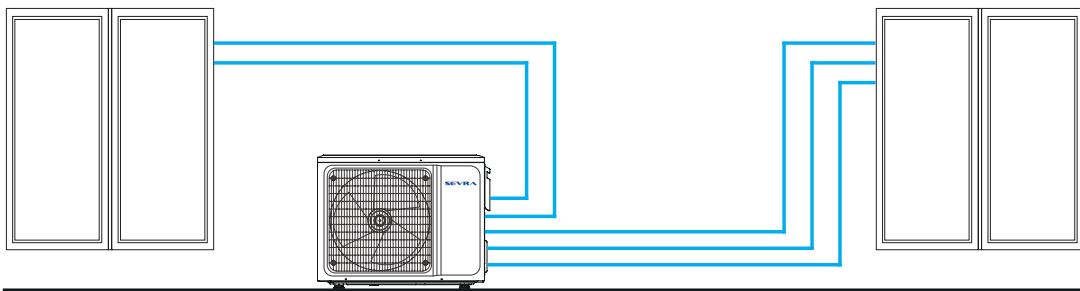
MULTI SYSTEMS

SOLUTION FOR MULTIPLE ROOMS

Multi-split systems provide the option to air condition multiple rooms simultaneously using only one outdoor unit. The Sevra multi system allows the installation of 2 to 5 indoor units to a single outdoor unit, significantly saving installation space while maintaining all the advantages of single-split systems—each indoor unit's operating parameters can be set individually, based on the specific needs of users in each room. The wide selection of indoor unit types (wall-mounted, ducted, cassette, floor-ceiling) with varying cooling capacities makes Sevra multi systems ideal for office, hotel, service, and residential spaces.



Five indoor units in a single-split system.



Five indoor units in a multi-split system.



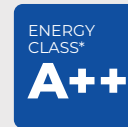
Space-Saving Installation

Connecting multiple indoor units to one outdoor unit reduces the number of necessary outdoor units compared to single-split systems, resulting in substantial space savings on building facades, roofs, and balconies.



OUTDOOR UNITS

SEV-2M(14/18), SEV-3M(21/27), SEV-4M36, SEV-5M42









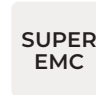



Intelligent Defrosting

Sevra outdoor units in multi-split systems are equipped with an intelligent defrosting function. This system enables nearly continuous operation in heating mode, activating defrost only when necessary and only for the required duration to defrost the heat exchanger. This ensures more efficient operation of the unit while heating the room.

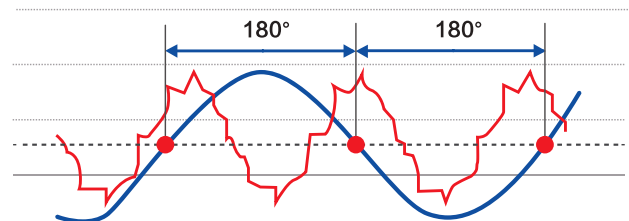
Low Voltage Start

The low voltage start function allows the air conditioner to start stably from a voltage as low as 130V. This feature is especially useful in areas with unstable power supplies.

- 
DC INVERTER
 Inverter technology
- 
 Refrigerant R32
- 
 Automatic restart
- 
 Cooling at low outdoor temperatures
- 
 Heating at low outdoor temperatures
- 
 Intelligent defrosting
- 
 Hydrophilic aluminium fins
- 
 Blue coated fins
- 
SUPER EMC
- 
 Low voltage start

180° Sine Wave Control

The DC inverter compressor uses 180° sine wave control, allowing the compressor motor to run smoothly and significantly improving efficiency.



Air conditioning units contain fluorinated greenhouse gases R32. Technical specifications, appearance, and functions of the devices are subject to change without prior notice. Images of the devices are for illustrative purposes only; the actual appearance may differ from what is shown.


* The energy efficiency class is provided for operation in cooling mode.


Outdoor Unit			SEV-2M14	SEV-2M18	SEV-3M21
Cooling Capacity		[kW]	4,10 (1,8 - 4,51)	5,30 (2,0 - 5,83)	6,20 (2,2 - 6,71)
		[Btu/h]	13989 (6142 - 15388)	18084 (6824 - 19892)	21154 (7506 - 22895)
Heating Capacity		[kW]	4,80 (2,05 - 5,28)	5,60 (2,21 - 6,16)	6,60 (2,39 - 7,26)
		[Btu/h]	16378 (6995 - 18015)	19107 (7541 - 21017)	22519 (8155 - 24771)
Power Supply		[V,Hz,Ph]	220-240, 50, 1	220-240, 50, 1	220-240, 50, 1
Energy Consumption	Cooling	[W]	1240	1750	1920
	Heating	[W]	1150	1540	1780
Operating Current	Cooling	[A]	5,4	7,6	8,3
	Heating	[A]	5,0	6,7	7,8
SEER		[W/W]	6,16	7,07	6,57
SCOP		[W/W]	4,06	4,08	4,38
Energy Efficiency Class	Cooling	[-]	A++	A++	A++
	Heating	[-]	A+	A+	A+
Airflow		[m³/h]	2300	2300	3100
Sound Pressure Level		[dB(A)]	54	55	56
Sound Power Level		[dB(A)]	61	62	65
Unit Dimensions	Netto	[mm]	800x315x545	800x315x545	834x328x655
	Gross	[mm]	920x400x620	920x400x620	945x435x725
Unit Weight	netto/gross	[kg]	34 / 37	36 / 39	44 / 47
Pipe Connections	Liquid	[mm(inch)]	2x 6,35 (1/4)	2x 6,35 (1/4)	3x 6,35 (1/4)
	Gas	[mm(inch)]	2x 9,52 (3/8)	2x 9,52 (3/8)	3x 9,52 (3/8)
Max Piping Length	Indoor Unit - Outdoor Unit	[m]	25	25	30
Max Height Difference	Indoor Unit - Outdoor Unit	[m]	15	15	15
Operating Range (Outside Temperature)	Cooling	[°C]	-15~52	-15~52	-15~52
	Heating	[°C]	-15~24	-15~24	-15~24


Outdoor Unit			SEV-3M27	SEV-4M36	SEV-5M42
Cooling Capacity		[kW]	7,90 (2,3 - 8,69)	10,50 (2,5 - 11,0)	12,00 (2,77 - 12,7)
		[Btu/h]	26955 (7848 - 29650)	35826 (8530 - 37532)	40944 (9451 - 43332)
Heating Capacity		[kW]	8,20 (2,45 - 9,02)	11,00 (2,67 - 11,2)	13,00 (2,96 - 13,1)
		[Btu/h]	27978 (8359 - 30776)	37532 (9110 - 38214)	44356 (10100 - 44800)
Power Supply		[V~,Hz,Ph]	220-240, 50, 1	220-240, 50, 1	220-240, 50, 1
Energy Consumption	Cooling	[W]	2460	3950	4450
	Heating	[W]	2270	3150	3750
Operating Current	Cooling	[A]	10,7	17,5	19,72
	Heating	[A]	9,8	13,96	16,62
SEER		[W/W]	6,30	6,10	6,10
SCOP		[W/W]	4,04	4,00	4,10
Energy Efficiency Class	Cooling	[-]	A++	A++	A++
	Heating	[-]	A+	A+	A+
Airflow		[m³/h]	3100	4000	4200
Sound Pressure Level		[dB(A)]	58	61	61
Sound Power Level		[dB(A)]	65	68	68
Unit Dimensions	Netto	[mm]	834x328x655	985x395x808	985x395x808
	Gross	[mm]	945x435x725	1105x495x895	1105x495x895
Unit Weight	netto/gross	[kg]	46 / 49	74 / 78	75 / 79
Pipe Connections	Liquid	[mm(inch)]	3x 6,35 (1/4)	4x 6,35 (1/4)	5x 6,35 (1/4)
	Gas	[mm(inch)]	3x 9,52 (3/8)	4x 9,52 (3/8)	5x 9,52 (3/8)
Max Piping Length	Indoor Unit - Outdoor Unit	[m]	30	35	35
Max Height Difference	Indoor Unit - Outdoor Unit	[m]	15	15	15
Operating Range (Outside Temperature)	Cooling	[°C]	-15~52	-15~52	-15~52
	Heating	[°C]	-15~24	-15~24	-15~24


COMBINATION TABLES


Cooling Capacity [kBtu/h]	07	09	12	18	24
Wall-Mounted Units SEV-(09/12/18/24)JO/1	-	■	■	■	■
Floor-Ceiling Units SEV-(09/12/18)MF	-	■	■	■	-
Duct Units SEV-(07/09/12/18)MD	■	■	■	■	-
Cassette Units SEV-(09/12/18)MC	-	■	■	■	-


Outdoor Units		Suggested Sets	
SEV-2M14 1 for 2 	1 unit	2 units	
	7	7 + 7	
	9	7 + 9	
	12	9 + 9	
	18	-	

Outdoor Units		Suggested Sets	
SEV-2M18 1 for 2 	1 unit	2 units	
	9	7 + 7	9 + 12
	12	7 + 9	-
	18	7 + 12	-
	-	9 + 9	-

Outdoor Units		Suggested Sets			
SEV-3M21 1 for 3 	1 unit	2 units		3 units	
	18	7 + 7	9 + 12	7 + 7 + 7	-
	24	7 + 9	9 + 18	7 + 7 + 9	-
	-	7 + 12	12 + 12	7 + 7 + 12	-
	-	7 + 18	-	7 + 9 + 9	-
	-	9 + 9	-	9 + 9 + 9	-

Outdoor Units		Suggested Sets			
SEV-3M27 1 for 3 	1 unit	2 units		3 units	
	18	7 + 12	9 + 24	7 + 7 + 7	7 + 9 + 18
	24	7 + 18	12 + 12	7 + 7 + 9	7 + 12 + 12
	-	7 + 24	12 + 24	7 + 7 + 12	9 + 9 + 9
	-	9 + 9	18 + 18	7 + 7 + 18	9 + 9 + 12
	-	9 + 12	18 + 24	7 + 9 + 9	9 + 12 + 12
	-	9 + 18	-	7 + 9 + 12	-

Outdoor Units	Suggested Sets							
	1 unit	2 units		3 units				
SEV-4M36 1 for 4 	18	7 + 12	12 + 12	7 + 7 + 7	7 + 9 + 18	9 + 9 + 12	12 + 12 + 12	
	24	7 + 18	12 + 18	7 + 7 + 9	7 + 9 + 24	9 + 9 + 18	12 + 12 + 18	
	-	7 + 24	12 + 24	7 + 7 + 12	7 + 12 + 12	9 + 9 + 24	-	
	-	9 + 9	18 + 18	7 + 7 + 18	7 + 12 + 18	9 + 12 + 12	-	
	-	9 + 12	18 + 24	7 + 7 + 24	7 + 12 + 24	9 + 12 + 18	-	
	-	9 + 18	-	7 + 9 + 9	7 + 18 + 18	9 + 12 + 24	-	
	-	9 + 24	-	7 + 9 + 12	9 + 9 + 9	9 + 18 + 18	-	
	4 units							
		7 + 7 + 7 + 7		7 + 7 + 9 + 18		7 + 9 + 12 + 18		
		7 + 7 + 7 + 9		7 + 7 + 12 + 12		7 + 12 + 12 + 12		
	7 + 7 + 7 + 12		7 + 7 + 12 + 18		9 + 9 + 9 + 9			
	7 + 7 + 7 + 18		7 + 9 + 9 + 9		9 + 9 + 9 + 12			
	7 + 7 + 7 + 24		7 + 9 + 9 + 12		9 + 9 + 9 + 18			
	7 + 7 + 9 + 9		7 + 9 + 9 + 18		9 + 9 + 12 + 12			
	7 + 7 + 9 + 12		7 + 9 + 12 + 12		9 + 12 + 12 + 12			

Outdoor Units	Suggested Sets							
	1 unit	2 units		3 units				
SEV-5M42 1 for 5 	18	7 + 18	18 + 18	7 + 7 + 7	7 + 9 + 24	9 + 9 + 18	12 + 12 + 18	
	24	7 + 24	18 + 24	7 + 7 + 9	7 + 12 + 12	9 + 9 + 24	12 + 12 + 24	
	-	9 + 12	24 + 24	7 + 7 + 12	7 + 12 + 18	9 + 12 + 12	12 + 18 + 18	
	-	9 + 18	-	7 + 7 + 18	7 + 12 + 24	9 + 12 + 18	12 + 18 + 24	
	-	9 + 24	-	7 + 7 + 24	7 + 18 + 18	9 + 12 + 24	18 + 18 + 18	
	-	12 + 12	-	7 + 9 + 9	7 + 18 + 24	9 + 18 + 18	-	
	-	12 + 18	-	7 + 9 + 12	9 + 9 + 9	9 + 18 + 24	-	
	-	12 + 24	-	7 + 9 + 18	9 + 9 + 12	12 + 12 + 12	-	
	4 units							
		7 + 7 + 7 + 7		7 + 7 + 12 + 12		7 + 9 + 12 + 24		12 + 12 + 12 + 12
	7 + 7 + 7 + 9		7 + 7 + 12 + 18		7 + 12 + 12 + 12		12 + 12 + 12 + 18	
	7 + 7 + 7 + 12		7 + 7 + 12 + 24		9 + 9 + 9 + 9		-	
	7 + 7 + 7 + 18		7 + 9 + 9 + 9		9 + 9 + 9 + 12		-	
	7 + 7 + 7 + 24		7 + 9 + 9 + 12		9 + 9 + 9 + 18		-	
	7 + 7 + 9 + 9		7 + 9 + 9 + 18		9 + 9 + 12 + 12		-	
	7 + 7 + 9 + 12		7 + 9 + 12 + 12		9 + 12 + 12 + 12		-	
	7 + 7 + 9 + 18		7 + 9 + 12 + 18		9 + 12 + 12 + 18		-	
5 units								
	7 + 7 + 7 + 7 + 7		7 + 7 + 7 + 9 + 24		7 + 7 + 12 + 12 + 12		9 + 9 + 9 + 9 + 18	
	7 + 7 + 7 + 7 + 9		7 + 7 + 7 + 12 + 12		7 + 9 + 9 + 9 + 9		9 + 9 + 9 + 12 + 12	
	7 + 7 + 7 + 7 + 12		7 + 7 + 7 + 12 + 18		7 + 9 + 9 + 9 + 12		9 + 9 + 12 + 12 + 12	
	7 + 7 + 7 + 7 + 18		7 + 7 + 9 + 9 + 9		7 + 9 + 9 + 9 + 18		-	
	7 + 7 + 7 + 7 + 24		7 + 7 + 9 + 9 + 12		7 + 9 + 9 + 12 + 12		-	
	7 + 7 + 7 + 9 + 9		7 + 7 + 9 + 9 + 18		7 + 9 + 12 + 12 + 12		-	
	7 + 7 + 7 + 9 + 12		7 + 7 + 9 + 12 + 12		9 + 9 + 9 + 9 + 9		-	
	7 + 7 + 7 + 9 + 18		7 + 7 + 9 + 12 + 18		9 + 9 + 9 + 9 + 12		-	

Air conditioning units contain fluorinated greenhouse gases R32. Technical specifications, appearance, and functions of the devices are subject to change without prior notice. Images of the devices are for illustrative purposes only; the actual appearance may differ from what is shown.

WALL MOUNTED UNITS



SEV-(09/12/18/24)JO/I



Two-Way Condensate Drainage

The piping for refrigerant and condensate drainage can be connected from either the left or right side of the indoor unit, greatly facilitating the installation location to suit the room layout.



- | | | | | | | | | | |
|--|----------------------------|------------------------------|----------------------------|-------------------------------|---------------------------|----------------------------------|--------------------------|------------------------------|---------------------------------|
|
DC INVERTER
Inverter Technology |
Refrigerant R32 |
Automatic Restart |
SUPER EMC
Super EMC |
Intelligent Defrosting |
Low Voltage Start |
Gold-Plated Fins |
Fast Cooling/Heating |
STANDBY
Standby Mode |
ECO Mode - Energy Saving |
|
TURBO Function |
High-Density Filter |
Mold Protection Function |
Sterilization at 57°C |
Hydrophilic Aluminum Fins |
Movable Air Louvers |
Vertical Air Louver Movement |
Anti-Cold Function |
"I FEEL" Function |
Night Mode |
|
PM 2,5 Filter |
Self-Cleaning Function |
Antibacterial Filter |
Optional Air Filters |
UV Sterilization |
LED Display |
Auto Diagnostic Function |
Programmable Timer |
Dual Condensate Drainage |
Easy and Quick Installation |
|
Build-In Wifi Module |
Wireless Controller |
Cooling Mode |
Heating Mode |
Fan Mode |
Dehumidification Mode |
Automatic Mode |
4D Airflow |
8°C Heating Mode | |

Air conditioning units contain fluorinated greenhouse gases R32.
Technical specifications, appearance, and functions of the devices are subject to change without prior notice.
Images of the devices are for illustrative purposes only; the actual appearance may differ from what is shown.

* The energy efficiency class is provided for operation in cooling mode.

Indoor Unit			SEV-09JO/I	SEV-12JO/I	SEV-18JO/I	SEV-24JO/I
Capacity	Cooling	[kW]	2,70 (0,60 - 4,00)	3,50 (0,80 - 4,10)	5,30 (1,30-5,70)	7,20 (1,80-7,40)
	Heating	[kW]	3,00 (0,80 - 4,20)	3,80 (1,00 - 4,20)	5,30 (1,30-5,50)	7,20 (1,80-8,00)
Energy Consumption	Cooling	[W]	820	1180	1650	2200
	Heating	[W]	800	1100	1470	2200
Operating Current	Cooling	[A]	3,80	5,60	7,80	10,00
	Heating	[A]	3,70	4,90	6,50	9,50
Maximum Current Consumption		[A]	9,5	9,5	12,00	16,00
Maximum Power Consumption		[W]	1800	1900	2500	3400
Power Supply		[V-Ph-Hz]	220-240V-1-50Hz	220-240V-1-50Hz	220-240V-1-50Hz	220-240V-1-50Hz
Airflow (T/Hi/Mid/Low)		[m³/h]	600/540/500/430	600/550/500/400	900/730/650/550	1300/1200/1010/870
Sound Pressure Level (T/Hi/Mid/Low/Sj)		[dB(A)]	40/34/30/26/22	43/40/36/29/23	45/38/33/28/23	50/46/39/34/27
Sound Power Level		[dB(A)]	54	53	59	63
Unit Dimensions		[mm]	792x292x201	792x292x201	904x316x224	1132x330x232
Unit Weight (Netto)		[kg]	8,0	8,5	11,0	14,0

Air conditioning units contain fluorinated greenhouse gases R32.
 Technical specifications, appearance, and functions of the devices are subject to change without prior notice.
 Images of the devices are for illustrative purposes only; the actual appearance may differ from what is shown.



FLOOR-CEILING MOUNTED UNITS

SEV-(09/12/18)MF



4D Airflow

The automatic movement of the indoor unit's louvers in both vertical and horizontal planes ensures optimal air circulation within the room and an even temperature distribution. Cooled air flows in all directions, quickly reaching even the most distant areas of the room.



- | | | | | | | | | | | | |
|-------------------------|------------------------------|--------------------------|-------------------------|-------------------------------|------------------------------------|----------------------------------|---------------------------------|----------------------------|------------------------------|-----------------------------------|--------------------------|
|
Inverter Technology |
Refrigerant R32 |
Automatic Restart |
Super EMC |
Hydrophilic Aluminum Fins |
Low Voltage Start |
Cooling at Low Temperatures |
Heating at Low Temperatures |
Intelligent Defrosting |
Blue Heat Exchanger Fins |
ECO Mode - Energy Saving |
TURBO Mode |
|
SILENT Mode |
Night Mode |
Fast Cooling/Heating |
Movable Air Louvers |
4D Airflow |
Horizontal Air Louver Movement |
Vertical Air Louver Movement |
"I FEEL" Function |
Durable Air Filter |
Self-Cleaning Function |
Anti-Mold Protection Function |
Digital Display |
|
Programmable Timer |
Auto Diagnostic Function |
Compact Design |
Cooling Mode |
Heating Mode |
Fan Mode |
Dehumidification Mode |
Automatic Mode |
Wired Controller |
Central Controller |
WiFi Control | — standard
— optional |

Air conditioning units contain fluorinated greenhouse gases R32. Technical specifications, appearance, and functions of the devices are subject to change without prior notice. Images of the devices are for illustrative purposes only; the actual appearance may differ from what is shown.

* The energy efficiency class is provided for operation in cooling mode.

Indoor Unit		SEV-09MF	SEV-12MF	SEV-18MF
Cooling Capacity	[kW]	2,80 (1,50 - 3,55)	3,60 (1,70 - 3,70)	5,3 (2,50 - 5,6)
	[Btu/h]	9560 (5120 - 12115)	12285 (5800 - 12625)	18080 (8530 - 19107)
Heating Capacity	[kW]	3,00 (1,60 - 3,81)	3,9 (2,03 - 4,42)	5,8 (3,03 - 7,03)
	[Btu/h]	10240 (5460 - 13000)	13306 (6930 - 15080)	19790 (10340 - 24000)
Power Supply	[V,Hz,Ph]	220-240, 50, 1	220-240, 50, 1	220-240, 50, 1
Energy Consumption	Cooling [W]	80 (20 - 125)	80 (20 - 125)	80 (20 - 125)
	Heating [W]	80 (20 - 125)	80 (20 - 125)	80 (20 - 125)
Airflow	[m ³ /h]	750/600/500	750/600/500	850/700/600
Sound Pressure Level	[dB(A)]	39/36/30	39/36/30	45/42/40
Sound Power Level	[dB(A)]	55	55	59
Unit Dimensions	[mm]	929x660x205	929x660x205	929x660x205
Unit Weight netto/gross	[kg]	26 / 31	26 / 31	26 / 31
Pipe Connections	Liquid [mm(inch)]	6,35 (1/4)	6,35 (1/4)	6,35 (1/4)
	Gas [mm(inch)]	12,7 (1/2)	12,7 (1/2)	12,7 (1/2)
	Condensate [mm(inch)]	20	20	20

Air conditioning units contain fluorinated greenhouse gases R32.
 Technical specifications, appearance, and functions of the devices are subject to change without prior notice.
 Images of the devices are for illustrative purposes only; the actual appearance may differ from what is shown.



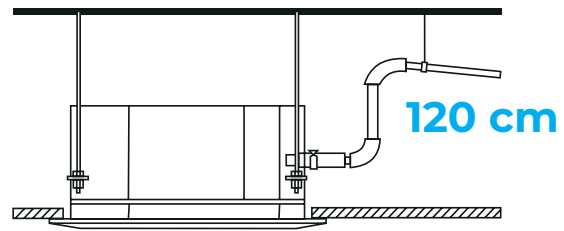
CASSETTE UNITS

SEV-(09/12/18)MC



Build-in Condensate Pump

The unit is equipped with a high-lift condensate pump that drains water condensate up to 1200 mm above the condensate tray level, allowing flexible connection of the condensate drain piping within the suspended ceiling space.



 Inverter Technology	 Refrigerant R32	 Automatic Restart	 Super EMC	 Hydrophilic Aluminum Fins	 Low Voltage Start	 Cooling at Low Temperatures	 Heating at Low Temperatures	 Intelligent Defrosting	 Blue Heat Exchanger Fins	 Fire-Resistant Electrical Box	 TURBO Mode
 Built-In Condensate Pump	 Night Mode	 Fast Cooling/Heating	 Movable Air Louvers	 "i" FEEL" Function	 Washable Air Filter	 Self-Cleaning Function	 Anti-Mold Protection Function	 Digital Display	 Programmable Timer	 Auto Diagnostic Function	 Cooling Mode
 Heating Mode	 Fan Mode	 Dehumidification Mode	 Automatic Mode	 Wired Controller	 Central Controller	 WiFi Control	— standard — optional				

Air conditioning units contain fluorinated greenhouse gases R32. Technical specifications, appearance, and functions of the devices are subject to change without prior notice. Images of the devices are for illustrative purposes only; the actual appearance may differ from what is shown.

* The energy efficiency class is provided for operation in cooling mode.

Indoor Unit		SEV-09MC	SEV-12MC	SEV-18MC
Cooling Capacity	[kW]	2,80 (1,50 - 3,55)	3,60 (1,70 - 3,70)	5,0 (2,50 - 5,6)
	[Btu/h]	9560 (5120 - 12115)	12285 (5800 - 12625)	17060 (8530 - 19107)
Heating Capacity	[kW]	3,00 (1,60 - 3,81)	3,9 (2,03 - 4,42)	5,6 (3,03 - 7,03)
	[Btu/h]	10240 (5460 - 13000)	13306 (6930 - 15080)	19107 (10340 - 24000)
Power Supply	[V,Hz,Ph]	220-240, 50, 1	220-240, 50, 1	220-240, 50, 1
Energy Consumption	Cooling [W]	70 (17,5 - 109)	70 (17,5 - 109)	70 (17,5 - 109)
	Heating [W]	70 (17,5 - 109)	70 (17,5 - 109)	70 (17,5 - 109)
Airflow	[m ³ /h]	700/600/530	700/600/530	700/600/530
Sound Pressure Level	[dB(A)]	45/41/35	45/41/35	45/41/35
Sound Power Level	[dB(A)]	56	56	56
Unit Dimensions	[mm]	570x570x260	570x570x260	570x570x260
Panel Dimensions	[mm]	650x650x55	650x650x55	650x650x55
Unit Weight netto/gross	[kg]	18 / 21	18 / 21	18 / 21
Panel Weight netto/gross	[kg]	2,2 / 3,7	2,2 / 3,7	2,2 / 3,7
Pipe Connections	Liquid [mm(inch)]	6,35 (1/4)	6,35 (1/4)	6,35 (1/4)
	Gas [mm(inch)]	12,7 (1/2)	12,7 (1/2)	12,7 (1/2)
	Condensate [mm(inch)]	20	20	20

Air conditioning units contain fluorinated greenhouse gases R32.
 Technical specifications, appearance, and functions of the devices are subject to change without prior notice.
 Images of the devices are for illustrative purposes only; the actual appearance may differ from what is shown.



CASSETTE

DUCT UNITS

SEV-(09/12/18)MD

 **Wall-Mounted Controller**
XK-04 included

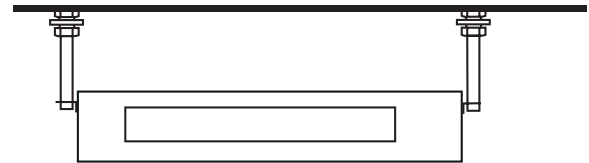
 **Wireless Controller**
type L optional

 **Wireless Controller**
type K optional




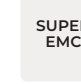






















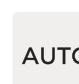





Exceptionally Slim Design

Sevra multi-ducted units have a height of only 20 cm, making them ideal for rooms with limited installation space.



200 mm

 DC INVERTER Inverter Technology	 Refrigerant R32	 Automatic Restart	 SUPER EMC Super EMC	 Hydrophilic Aluminum Fins	 Low Voltage Start	 Cooling at Low Temperatures	 Heating at Low Temperatures	 Intelligent Defrosting	 Blue Heat Exchanger Fins	 High ESP	 TURBO Mode
 Built-In Condensate Pump	 Night Mode	 Fast Cooling/Heating	 „Light Sensation“ Function	 Durable Air Filter	 Filter Contamination Indicator	 Anti-Mold Protection Function	 Compact Design	 Programmable Timer	 Auto Diagnostic Function	 Cooling Mode	 Heating Mode
 Fan Mode	 Dehumidification Mode	 AUTO Automatic Mode	 Wired Controller	 Central Controller	 WiFi Control	— standard — optional					

Air conditioning units contain fluorinated greenhouse gases R32. Technical specifications, appearance, and functions of the devices are subject to change without prior notice. Images of the devices are for illustrative purposes only; the actual appearance may differ from what is shown.

* The energy efficiency class is provided for operation in cooling mode.

Indoor Unit		SEV-07MD	SEV-09MD	SEV-12MD	SEV-18MD
Cooling Capacity	[kW]	2,20 (1,13 - 2,70)	2,60 (1,50 - 3,55)	3,60 (1,71 - 3,85)	5,10 (2,50 - 5,80)
	[Btu/h]	7506 (3855 - 9220)	8872 (5120 - 12115)	12280 (5835 - 13135)	17400 (8530 - 19790)
Heating Capacity	[kW]	2,50 (1,34 - 3,17)	2,9 (1,70 - 3,65)	4,0 (1,90 - 3,92)	5,8 (2,84 - 6,40)
	[Btu/h]	8530 (4575 - 10820)	9895 (5800 - 12450)	13650 (6480 - 13375)	19790 (9690 - 21835)
Power Supply	[V,Hz,Ph]	220-240, 50, 1	220-240, 50, 1	220-240, 50, 1	220-240, 50, 1
Energy Consumption	Cooling [W]	55	55	55	75
	Heating [W]	55	55	55	75
Airflow	[m ³ /h]	600/450/380	600/450/380	680/560/450	860/660/600
Sound Pressure Level	[dB(A)]	35/31/28	35/31/28	38/34/31	42/38/36
Sound Power Level	[dB(A)]	53	53	53	55
External Static Pressure (ESP)	[PA]	10	10	10	10
Unit Dimensions	[mm]	700x470x200	700x470x200	700x470x200	1000x470x200
Unit Weight netto/gross	[kg]	18,5 / 22	18,5 / 22	18,5 / 22	24 / 28
Pipe Connections	Liquid [mm(inch)]	6,35 (1/4)	6,35 (1/4)	6,35 (1/4)	6,35 (1/4)
	Gas [mm(inch)]	12,7 (1/2)	12,7 (1/2)	12,7 (1/2)	12,7 (1/2)
	Condensate [mm(inch)]	16,5	16,5	16,5	16,5

Air conditioning units contain fluorinated greenhouse gases R32.
 Technical specifications, appearance, and functions of the devices are subject to change without prior notice.
 Images of the devices are for illustrative purposes only; the actual appearance may differ from what is shown.





COMMERCIAL AIR CONDITIONERS

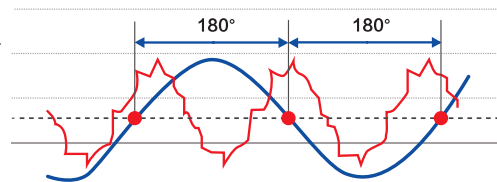


HIGH ENERGY EFFICIENCY

Thanks to the use of a high-efficiency DC inverter compressor, adjustable fan motor, and advanced vector control technology with 180° sine wave modulation, Sevra commercial systems achieve high energy efficiency ratings, with SEER values from 6.1 and SCOP from 4.0. The units meet all European Union energy efficiency requirements.

180° SINE WAVE CONTROL

The DC inverter compressor utilizes 180° sine wave control. This technique ensures smooth compressor operation and significantly enhances efficiency.



REFRIGERANT R32

The device operates using the latest, environmentally friendly refrigerant R32, which provides higher efficiency and a lower global warming potential compared to R410A. It also does not harm the ozone layer.

RELIABLE OPERATION OF UNITS

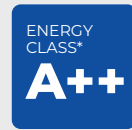
SEVRA commercial systems feature stable operation even in extreme ambient temperatures. With advanced technologies, SEVRA air conditioners operate reliably from an outdoor temperature of -15°C in cooling mode and -15°C in heating mode, ensuring high comfort levels year-round.





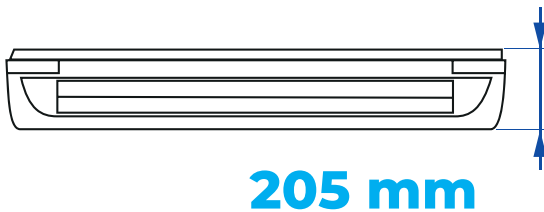
FLOOR-CEILING MOUNTED UNITS

SEV-(18/24/36/42/48/60)CAF



4D Airflow

The automatic movement of the indoor unit's louvers in both vertical and horizontal planes ensures optimal air circulation within the room and even temperature distribution. The cooled air spreads in all directions, reaching even the most distant areas quickly.



Ultra-Slim Design

The floor-ceiling unit has a width of only 205 mm, allowing significant installation space savings. With such a compact design, the device is suitable even for rooms with limited space.

 Inverter Technology	 Refrigerant R32	 Automatic Restart	 Super EMC	 Hydrophilic Aluminum Fins	 Low Voltage Start	 Cooling at Low Temperatures	 Heating at Low Temperatures	 Intelligent Defrosting	 Blue Heat Exchanger Fins	 ECO Mode - Energy Saving	 TURBO Mode
 SILENT Mode	 Night Mode	 Fast Cooling/Heating	 Movable Air Louvers	 4D Airflow	 Horizontal Air Louver Movement	 Vertical Air Louver Movement	 "I FEEL" Function	 Durable Air Filter	 Self-Cleaning Function	 Anti-Mold Protection Function	 Digital Display
 Programmable Timer	 Auto Diagnostic Function	 Compact Design	 Cooling Mode	 Heating Mode	 Fan Mode	 Dehumidification Mode	 Automatic Mode	 Wired Controller	 Central Controller	 WiFi Control	— standard — optional

Air conditioning units contain fluorinated greenhouse gases R32. Technical specifications, appearance, and functions of the devices are subject to change without prior notice. Images of the devices are for illustrative purposes only; the actual appearance may differ from what is shown.

* The energy efficiency class is provided for operation in cooling mode.

Model		SEV-18CAF	SEV-24CAF	SEV-36CAF	
Cooling Capacity	[kW]	5,00 (1,53 - 5,60)	7,00 (2,16 - 8,20)	10,55 (2,90 - 13,00)	
	[Btu/h]	18000 (5200 - 19100)	24000 (7400 - 28000)	36000 (9800 - 44300)	
Heating Capacity	[kW]	5,60 (1,40 - 6,20)	8,00 (1,98 - 9,30)	11,15 (2,60 - 13,50)	
	[Btu/h]	19100 (4800 - 21200)	27300 (6800 - 31700)	38000 (8800 - 46000)	
Power Supply	[V,HZ,Ph]	220-240, 50, 1	220-240, 50, 1	220-240, 50, 1	
SEER	[W/W]	6,1	6,3	6,1	
SCOP	[W/W]	4,1	4,1	4,0	
Energy Efficiency Class	[-]	A++ / A+	A++ / A+	A++ / A+	
Indoor Unit	[-]	SEV-18CAF	SEV-24CAF	SEV-36CAF	
Airflow	[m³/h]	900/730/650	1300/1052/920	1800/1550/1350	
Sound Pressure Level	[dB(A)]	45/40/34	47/43/38	53/50/47	
Sound Power Level	[dB(A)]	56	57	63	
Unit Dimensions	[mm]	929x660x205	1280x660x205	1631x660x205	
Unit Weight netto/gross	[kg]	25 / 28	32 / 38	44 / 50	
Condensate	[mm(inch)]	DN20 (R3/4)	DN20 (R3/4)	DN20 (R3/4)	
Outdoor Unit		SEV-18CAO	SEV-24CAO	SEV-36CAO	
Airflow	[m³/h]	2600	3750	4000	
Sound Pressure Level	[dB(A)]	55	58	57	
Sound Power Level	[dB(A)]	64	67	66	
Unit Dimensions	[mm]	800x315x545	900x350x700	970x395x805	
Unit Weight netto/gross	[kg]	37 / 40	51 / 55	72 / 76	
Pipe Connections (Diameter)	Liquid	[mm(inch)]	6,35 (1/4)	9,52 (3/8)	9,52 (3/8)
	Gas	[mm(inch)]	12,7 (1/2)	15,88 (5/8)	15,88 (5/8)
Max Piping Length	[m]	30	50	65	
Max Height Difference	[m]	20	25	30	

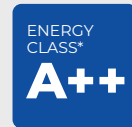
Model		SEV-42CAF	SEV-48CAF	SEV-60CAF	
Cooling Capacity	[kW]	12,10 (2,90 - 13,50)	14,00 (4,76 - 16,50)	16,00 (4,76 - 17,50)	
	[Btu/h]	42000 (9800 - 46000)	48000 (16241 - 56298)	55000 (16241 - 59710)	
Heating Capacity	[kW]	13,50 (2,60 - 15,00)	16,00 (4,78 - 16,15)	17,00 (4,78 - 18,50)	
	[Btu/h]	46000 (8800 - 51100)	55000 (16309 - 55104)	58000 (16308 - 63122)	
Power Supply	[V,HZ,Ph]	220-240, 50, 1	380-415, 50, 3	380-415, 50, 3	
SEER	[W/W]	6,1	6,1	6,1	
SCOP	[W/W]	4,0	4,0	4,0	
Energy Efficiency Class	[-]	A++ / A+	A++ / A+	A++ / A+	
Indoor Unit	[-]	SEV-42CAF	SEV-48CAF	SEV-60CAF	
Airflow	[m³/h]	1800/1550/1350	1900/1600/1400	1900/1600/1400	
Sound Pressure Level	[dB(A)]	53/50/47	53/51/49	53/51/49	
Sound Power Level	[dB(A)]	63	64	64	
Unit Dimensions	[mm]	1631x660x205	1631x660x205	1631x660x205	
Unit Weight netto/gross	[kg]	44 / 50	44 / 50	44 / 50	
Condensate	[mm(inch)]	DN20 (R3/4)	DN20 (R3/4)	DN20 (R3/4)	
Outdoor Unit		SEV-42CAO	SEV-48CAO	SEV-60CAO	
Airflow	[m³/h]	4200	7200	7200	
Sound Pressure Level	[dB(A)]	57	60	60	
Sound Power Level	[dB(A)]	66	70	70	
Unit Dimensions	[mm]	970x395x805	940x370x1325	940x370x1325	
Unit Weight netto/gross	[kg]	72 / 76	92 / 102	92 / 102	
Pipe Connections (Diameter)	Liquid	[mm(inch)]	9,52 (3/8)	9,52 (3/8)	9,52 (3/8)
	Gas	[mm(inch)]	15,88 (5/8)	19,05 (3/4)	19,05 (3/4)
Max Piping Length	[m]	65	65	65	
Max Height Difference	[m]	30	30	30	

Air conditioning units contain fluorinated greenhouse gases R32.
 Technical specifications, appearance, and functions of the devices are subject to change without prior notice.
 Images of the devices are for illustrative purposes only; the actual appearance may differ from what is shown.



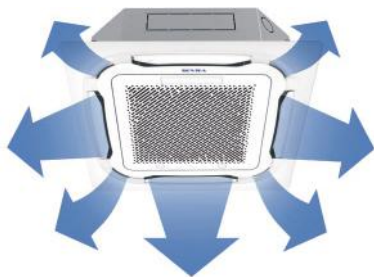
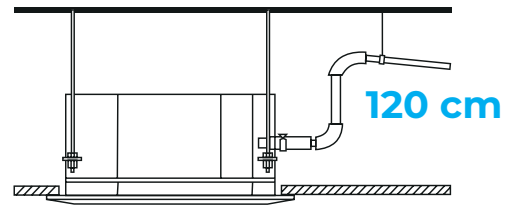
CASSETTE UNITS

SEV-(12/18/24/36/42/48/60)CAC



Build-In Drain Pump

The unit is equipped with a high-lift condensate pump that drains water up to 1200 mm above the condensate tray level, allowing flexible piping connections for condensate drainage within suspended ceiling spaces.



Multi-Directional Airflow

Additional airflow vents in the corners of the cassette unit panel provide air distribution in all directions (360° airflow mode).

 DC INVERTER Inverter Technology	 Refrigerant R32	 Automatic Restart	 SUPER EMC	 Hydrophilic Aluminum Fins	 Low Voltage Start	 Cooling at Low Temperatures	 Heating at Low Temperatures	 Intelligent Defrosting	 Blue Heat Exchanger Fins	 Fire-Resistant Electrical Box	 TURBO Mode
 Built-In Condensate Pump	 Night Mode	 Fast Cooling/Heating	 Movable Air Louvers	 "1 FEEL" Function	 Washable Air Filter	 Self-Cleaning Function	 Anti-Mold Protection Function	 Digital Display	 Programmable Timer	 Auto Diagnostic Function	 Cooling Mode
 Heating Mode	 Fan Mode	 Dehumidification Mode	 Automatic Mode	 Wielokierunkowy nawiew 360°	 Wired Controller	 Central Controller	 WiFi Control	— standard — optional			

Air conditioning units contain fluorinated greenhouse gases R32. Technical specifications, appearance, and functions of the devices are subject to change without prior notice. Images of the devices are for illustrative purposes only; the actual appearance may differ from what is shown.

* The energy efficiency class is provided for operation in cooling mode.

Model		SEV-12CAC	SEV-18CAC	SEV-24CAC	SEV-36CAC	
Cooling Capacity	[kW]	3,60 (1,35 - 4,40)	5,00 (1,53 - 5,60)	7,00 (2,16 - 8,20)	10,55 (2,90 - 13,00)	
	[Btu/h]	12000 (4600 - 15000)	18000 (5200 - 19100)	24000 (7400 - 28000)	36000 (9800-44300)	
Heating Capacity	[kW]	4,20 (1,24 - 5,30)	5,60 (1,40 - 6,20)	8,00 (1,98 - 9,30)	11,15 (2,60 - 13,50)	
	[Btu/h]	14300 (4200 - 18100)	19100 (4800 - 21200)	27300 (6800 - 31700)	38000 (8800 - 46000)	
Power Supply	[V,Hz,Ph]	220-240, 50, 1	220-240, 50, 1	220-240, 50, 1	220-240, 50, 1	
SEER	[W/W]	6,2	6,3	6,5	6,1	
SCOP	[W/W]	4,1	4,0	4,2	4,0	
Energy Efficiency Class	[-]	A++ / A+	A++ / A+	A++ / A+	A++ / A+	
Indoor Unit	[-]	SEV-12CAC	SEV-18CAC	SEV-24CAC	SEV-36CAC	
Airflow	[m³/h]	700/600/530	700/600/530	1300/1050/950	1800/1550/1350	
Sound Pressure Level	[dB(A)]	45/44/36	45/44/36	47/43/38	51/48/45	
Sound Power Level	[dB(A)]	56	56	57	62	
Unit Dimensions	[mm]	570x570x260	570x570x260	835x835x250	835x835x290	
Panel Dimensions	[mm]	650x650x55	650x650x55	950x950x55	950x950x55	
Unit Weight netto/gross	[kg]	17 / 20	17 / 20	24 / 27,5	26,5 / 30,5	
Panel Weight netto/gross	[kg]	2,2 / 3,7	2,2 / 3,7	5,3 / 7,8	5,3 / 7,8	
Condensate	[mm(inch)]	DN20 (R3/4)	DN20 (R3/4)	DN20 (R3/4)	DN20 (R3/4)	
Outdoor Unit		SEV-12CAO	SEV-18CAO	SEV-24CAO	SEV-36CAO	
Airflow	[m³/h]	2600	2600	3750	4000	
Sound Pressure Level	[dB(A)]	54	55	58	57	
Sound Power Level	[dB(A)]	64	64	67	66	
Unit Dimensions	[mm]	800x315x545	800x315x545	900x350x700	970x395x805	
Unit Weight netto/gross	[kg]	35 / 38	37 / 40	51 / 55	72 / 76	
Pipe Connections (Diameter)	Liquid	[mm(inch)]	6,35 (1/4)	6,35 (1/4)	9,52 (3/8)	9,52 (3/8)
	Gas	[mm(inch)]	12,7 (1/2)	12,7 (1/2)	15,88 (5/8)	15,88 (5/8)
Max Piping Length	[m]	25	30	50	65	
Max Height Difference	[m]	10	20	25	30	

Model		SEV-42CAC	SEV-48CAC	SEV-60CAC	
Cooling Capacity	[kW]	12,10 (2,90 - 13,50)	14,00 (4,76 - 16,50)	16,00 (4,76 - 17,50)	
	[Btu/h]	42000 (9800 - 46000)	48000 (16241 - 56298)	55000 (16241 - 59710)	
Heating Capacity	[kW]	13,50 (2,60 - 15,00)	16,00 (4,78 - 16,15)	17,00 (4,78 - 18,50)	
	[Btu/h]	46000 (8800 - 51100)	55000 (16309 - 55104)	58000 (16308 - 63122)	
Power Supply	[V,Hz,Ph]	220-240, 50, 1	380-415, 50, 3	380-415, 50, 3	
SEER	[W/W]	6,1	6,1	6,1	
SCOP	[W/W]	4,0	4,0	4,0	
Energy Efficiency Class	[-]	A++ / A+	A++ / A+	A++ / A+	
Indoor Unit	[-]	SEV-42CAC	SEV-48CAC	SEV-60CAC	
Airflow	[m³/h]	1800/1550/1350	1950/1750/1500	1950/1750/1500	
Sound Pressure Level	[dB(A)]	51/48/45	52/50/48	52/50/48	
Sound Power Level	[dB(A)]	62	65	65	
Unit Dimensions	[mm]	835x835x290	835x835x290	835x835x290	
Panel Dimensions	[mm]	950x950x55	950x950x55	950x950x55	
Unit Weight netto/gross	[kg]	26,5 / 30,5	31 / 35	31 / 35	
Panel Weight netto/gross	[kg]	5,3 / 7,8	5,3 / 7,8	5,3 / 7,8	
Condensate	[mm(inch)]	DN20 (R3/4)	DN20 (R3/4)	DN20 (R3/4)	
Outdoor Unit		SEV-42CAO	SEV-48CAO	SEV-60CAO	
Airflow	[m³/h]	4200	7200	7200	
Sound Pressure Level	[dB(A)]	57	60	60	
Sound Power Level	[dB(A)]	66	70	70	
Unit Dimensions	[mm]	970x395x805	940x370x1325	940x370x1325	
Unit Weight netto/gross	[kg]	72 / 76	92 / 102	92 / 102	
Pipe Connections (Diameter)	Liquid	[mm(inch)]	9,52 (3/8)	9,52 (3/8)	9,52 (3/8)
	Gas	[mm(inch)]	15,88 (5/8)	19,05 (3/4)	19,05 (3/4)
Max Piping Length	[m]	65	65	65	
Max Height Difference	[m]	30	30	30	

Air conditioning units contain fluorinated greenhouse gases R32.
 Technical specifications, appearance, and functions of the devices are subject to change without prior notice.
 Images of the devices are for illustrative purposes only; the actual appearance may differ from what is shown.



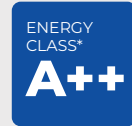
DUCT UNITS

SEV-(18/24/36/42/48/60)CAD

Wall-Mounted Controller
XK-05 included

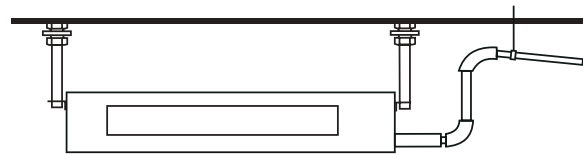
Wireless Controller
typ L optional

Wireless Controller
typ K optional



Build-In Drain Pump

The duct unit comes standard with a high-lift condensate pump that drains condensate up to 700 mm high.



70 cm



Adjustable External Static Pressure - Up to 160 PA

Adjustable static pressure from 0 to 160 Pa allows greater flexibility in system design, enabling ventilation ducts to extend over long distances.

 DC INVERTER Inverter Technology	 Refrigerant R32	 Automatic Restart	 SUPER EMC	 Hydrophilic Aluminum Fins	 Low Voltage Start	 Cooling at Low Temperatures	 Heating at Low Temperatures	 Intelligent Defrosting	 Blue Heat Exchanger Fins	 High ESP	 TURBO Mode
 Built-In Condensate Pump	 Night Mode	 Fast Cooling/Heating	 „Light Sensation*“ Function	 Durable Air Filter	 Filter Contamination Indicator	 Anti-Mold Protection Function	 Compact Design	 Programmable Timer	 Auto Diagnostic Function	 Cooling Mode	 Heating Mode
 Fan Mode	 Dehumidification Mode	 AUTO	 Wired Controller	 Central Controller	 WiFi Control	— standard — optional					

Air conditioning units contain fluorinated greenhouse gases R32. Technical specifications, appearance, and functions of the devices are subject to change without prior notice. Images of the devices are for illustrative purposes only; the actual appearance may differ from what is shown.

* The energy efficiency class is provided for operation in cooling mode.

Model		SEV-18CAD	SEV-24CAD	SEV-36CAD
Cooling Capacity	[kW]	5,00 (1,53 - 5,60)	7,00 (2,16 - 8,20)	10,55 (2,90 - 13,00)
	[Btu/h]	18000 (5200 - 19100)	24000 (7400 - 28000)	36000 (9800 - 44300)
Heating Capacity	[kW]	5,60 (1,40 - 6,20)	8,00 (1,98 - 9,30)	11,15 (2,60 - 13,50)
	[Btu/h]	19100 (4800 - 21200)	27300 (6800 - 31700)	38000 (8800 - 46000)
Power Supply	[V,Hz,Ph]	220-240, 50, 1	220-240, 50, 1	220-240, 50, 1
SEER	[W/W]	6,2	6,1	6,1
SCOP	[W/W]	4,0	4,0	4,1
Energy Efficiency Class	[-]	A++ / A+	A++ / A+	A++ / A+
Indoor Unit	[-]	SEV-18CAD	SEV-24CAD	SEV-36CAD
Airflow	[m³/h]	1150/960/840	1400/1190/980	1900/1600/1400
Sound Pressure Level	[dB(A)]	43/41/40	44/41/39	44/41/39
Sound Power Level	[dB(A)]	53	55	55
External Static Pressure (ESP)	[Pa]	0-160	0-160	0-160
Unit Dimensions	[mm]	1000x700x245	1000x700x245	1400x700x245
Unit Weight netto/gross	[kg]	31 / 37	32 / 38	42 / 48
Condensate	[mm(inch)]	DN20 (R3/4)	DN20 (R3/4)	DN20 (R3/4)
Outdoor Unit		SEV-18CAO	SEV-24CAO	SEV-36CAO
Airflow	[m³/h]	2600	3750	4000
Sound Pressure Level	[dB(A)]	55	58	57
Sound Power Level	[dB(A)]	64	67	66
Unit Dimensions	[mm]	800x315x545	900x350x700	970x395x805
Unit Weight netto/gross	[kg]	37 / 40	51 / 55	72 / 76
Pipe Connections (Diameter)	Liquid [mm(inch)]	6,35 (1/4)	9,52 (3/8)	9,52 (3/8)
	Gas [mm(inch)]	12,7 (1/2)	15,88 (5/8)	15,88 (5/8)
Max Piping Length	[m]	30	50	65
Max Height Difference	[m]	20	25	30

Model		SEV-18CAD	SEV-24CAD	SEV-36CAD
Cooling Capacity	[kW]	5,00 (1,53 - 5,60)	7,00 (2,16 - 8,20)	10,55 (2,90 - 13,00)
	[Btu/h]	18000 (5200 - 19100)	24000 (7400 - 28000)	36000 (9800 - 44300)
Heating Capacity	[kW]	5,60 (1,40 - 6,20)	8,00 (1,98 - 9,30)	11,15 (2,60 - 13,50)
	[Btu/h]	19100 (4800 - 21200)	27300 (6800 - 31700)	38000 (8800 - 46000)
Power Supply	[V,Hz,Ph]	220-240, 50, 1	220-240, 50, 1	220-240, 50, 1
SEER	[W/W]	6,2	6,1	6,1
SCOP	[W/W]	4,0	4,0	4,1
Energy Efficiency Class	[-]	A++ / A+	A++ / A+	A++ / A+
Indoor Unit	[-]	SEV-18CAD	SEV-24CAD	SEV-36CAD
Airflow	[m³/h]	1150/960/840	1400/1190/980	1900/1600/1400
Sound Pressure Level	[dB(A)]	43/41/40	44/41/39	44/41/39
Sound Power Level	[dB(A)]	53	55	55
External Static Pressure (ESP)	[Pa]	0-160	0-160	0-160
Unit Dimensions	[mm]	1000x700x245	1000x700x245	1400x700x245
Unit Weight netto/gross	[kg]	31 / 37	32 / 38	42 / 48
Condensate	[mm(inch)]	DN20 (R3/4)	DN20 (R3/4)	DN20 (R3/4)
Outdoor Unit		SEV-18CAO	SEV-24CAO	SEV-36CAO
Airflow	[m³/h]	2600	3750	4000
Sound Pressure Level	[dB(A)]	55	58	57
Sound Power Level	[dB(A)]	64	67	66
Unit Dimensions	[mm]	800x315x545	900x350x700	970x395x805
Unit Weight netto/gross	[kg]	37 / 40	51 / 55	72 / 76
Pipe Connections (Diameter)	Liquid [mm(inch)]	6,35 (1/4)	9,52 (3/8)	9,52 (3/8)
	Gas [mm(inch)]	12,7 (1/2)	15,88 (5/8)	15,88 (5/8)
Max Piping Length	[m]	30	50	65
Max Height Difference	[m]	20	25	30

Air conditioning units contain fluorinated greenhouse gases R32.
 Technical specifications, appearance, and functions of the devices are subject to change without prior notice.
 Images of the devices are for illustrative purposes only; the actual appearance may differ from what is shown.





CON



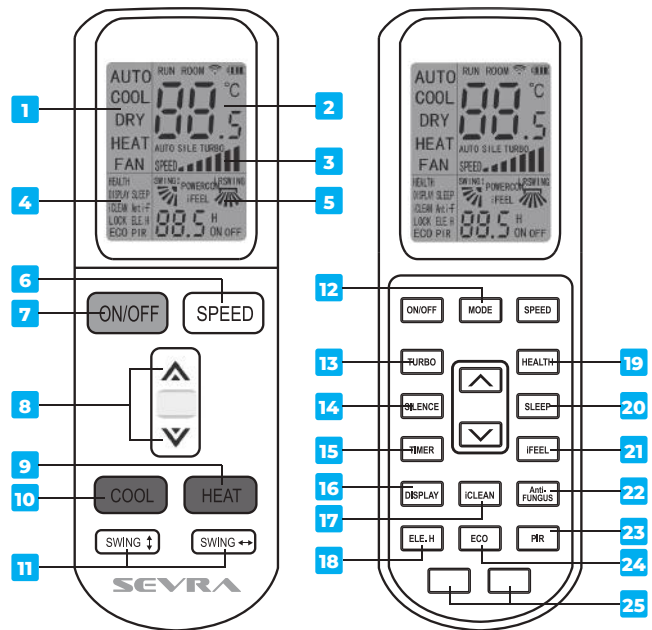
CONTROL

CONTROL

WIRELESS COLTROLLER TYPE L

Functions: ON/OFF switch, fan speed setting, temperature setting (16°C-32°C), operation mode setting, vertical/horizontal swing, timer, I FEEL function, TURBO mode, sleep mode, LCD display on/off, self-cleaning function (iCLEAN), SILENCE mode, ECO mode, dehumidifying function, and Anti-FUNGUS protection, backlit remote display.

Note: The drawing is a general representation of the remote control, featuring almost all functional buttons. It may slightly differ from the actual object (depending on the model).

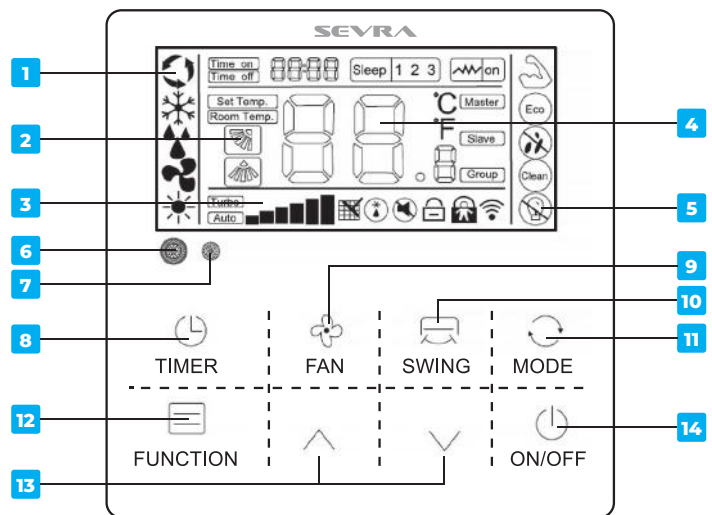


- | | | |
|---|--|---|
| 1 Display of operating mode | 10 Cooling mode | 19 HEALTH function |
| 2 Temperature display | 11 Buttons for selecting horizontal and vertical louver | 20 Night operation mode function |
| 3 Fan speed display | 12 Air conditioner operating mode selection button | 21 Intelligent temperature reading function „I FEEL“ |
| 4 Function display | 13 TURBO function - highest fan speed | 22 Dehumidification and mildew protection function |
| 5 Display of louver movement, I FEEL, etc. | 14 Silent operation mode | 23 Selection of horizontal air louver position |
| 6 Fan speed selection button | 15 Timer function setting button | 24 ECO mode |
| 7 Air conditioner ON/OFF switch | 16 LCD display ON/OFF switch | 25 Address setting |
| 8 Temperature range setting | 17 Self-cleaning function | |
| 9 Heating mode | 18 Auxiliary heater ON/OFF for the indoor unit | |

WIRED CONTROLLER XK-05

Functions: Touch panel with 8 buttons, LCD display with white backlighting, ON/OFF switch, fan speed setting, temperature setting (16°C-32°C), self-cleaning function (CLEAN), TURBO mode, SILENCE mode, vertical/horizontal swing, SLEEP night mode, ECO mode, „Light Sensation“ lighting sensor function, „Mildew-proof“ anti-mold function, filter dirt indication, ambient temperature sensor, wireless remote control signal receiver, buzzer alarm function, main controller failure display, keyboard lock function.

Note: The drawing is a general representation of the remote control, featuring almost all functional buttons. It may slightly differ from the actual object (depending on the model).



- | | | |
|--|--|---|
| 1 Display of operating mode | 8 Fan speed selection button | 15 Night operation mode function |
| 2 Fan speed display | 9 Horizontal louver movement selection button | 16 Intelligent temperature reading function |
| 3 Display of Temperature, Time etc. | 10 Temperature range setting 16°-32°C | 17 LCD display ON/OFF switch |
| 4 Display of louver movement | 11 Air conditioner ON/OFF switch | 18 HEALTH function |
| 5 LCD display ON/OFF | 12 Timer function setting button | 19 Self-cleaning function |
| 6 Wyświetlacz funkcji | 13 Vertical louver movement selection button | 20 Dehumidification and mildew protection function |
| 7 Function display | 14 Quick cooling/heating function | |

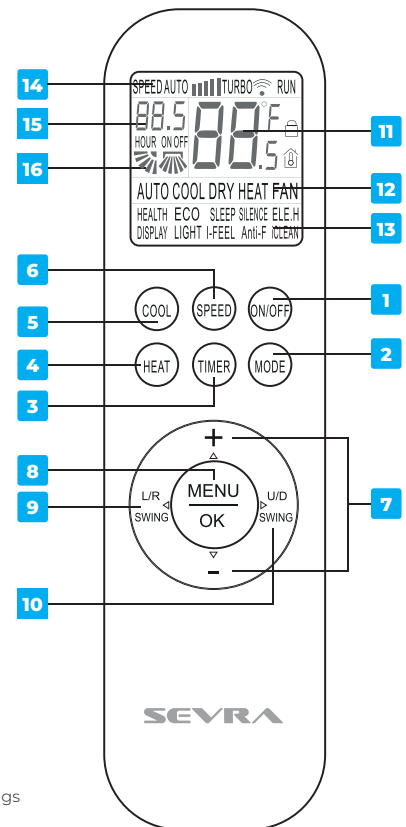
WIRELESS CONTROLLER TYPE T

Functions: ON/OFF switch, fan speed setting, temperature setting (16°C-32°C), operation mode setting, vertical/horizontal swing, timer, I FEEL function, TURBO mode, SLEEP night mode, display on/off, self-cleaning function (iCLEAN), additional electric heater function (ELE.H), ECO mode, dehumidifying function and Anti-FUNGUS protection, HEALTH function, SILENCE mode, intelligent backlighting (LIGHT), child lock.

Note: The drawing is a general representation of the remote control, featuring almost all functional buttons. It may slightly differ from the actual object (depending on the model).

- 1 Air conditioner ON/OFF switch
- 2 Display of operating mode
- 3 Button to change operating mode
- 4 Button for directly activating heating mode
- 5 Button for directly activating cooling mode
- 6 Fan speed selection button
- 7 Temperature range setting
- 8 Button for activating function selection mode

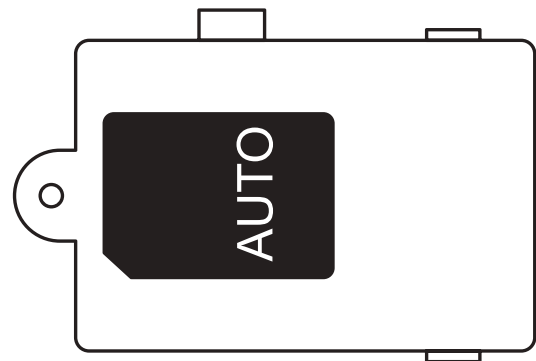
- 9 Vertical louver movement selection button
- 10 Horizontal louver movement selection button
- 11 Temperature display
- 12 Display of operating mode
- 13 Function display
- 14 Fan speed display
- 15 Timer display
- 16 Display for vertical and horizontal louver settings



OPTIONAL WI-FI CONTROL MODULE

Application (optional): cassette LCAC, ducted LCAC, floor-ceiling LCAC, floor-ceiling MULTI, cassette MULTI, ducted MULTI.

- Operating temperature:** 0°C - 50°C
- Operating humidity:** 20 - 90% relative humidity
- Dimensions:** 72 mm x 52 mm x 15,5 mm
- Configuration cable length:** 1500 mm





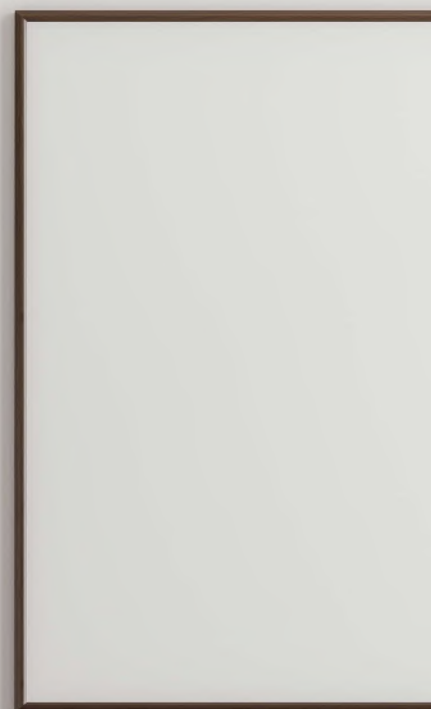
DIVINE



DIMENSIONAL DRAWINGS

VISIONS

RAC



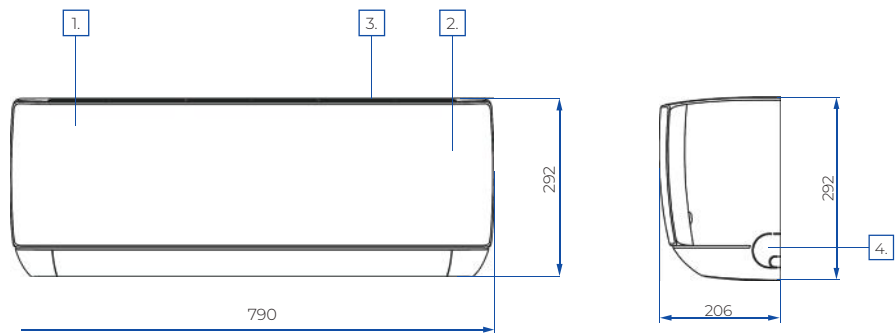
WALL-MOUNTED UNITS RAC

J-SMART SERIES

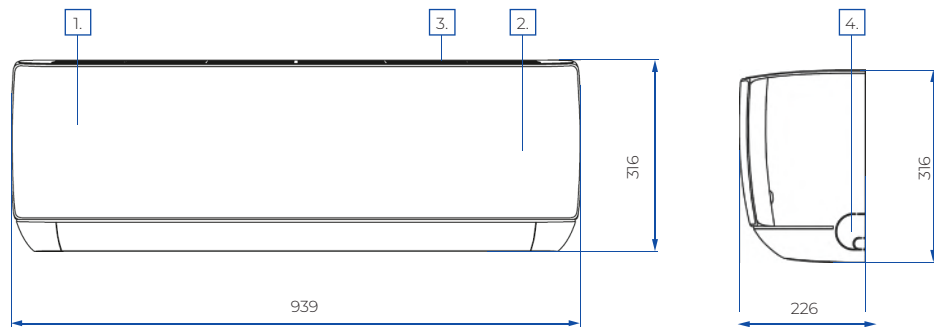
SEV-(09/12)JO/I



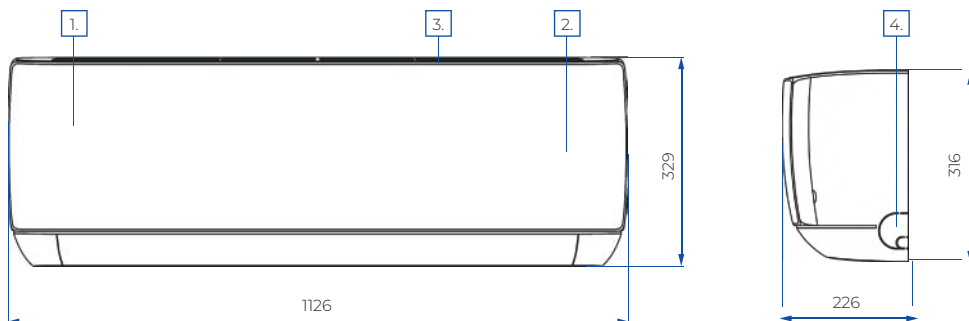
9K, 12K
SEV-(09/12)JO/I



18K
SEV-18JO/I



24K
SEV-24FV/I



1 - Front Panel
2 - Display

3 - Air Intake Grille
4 - Opening for Refrigerant Pipes and Condensate Drain

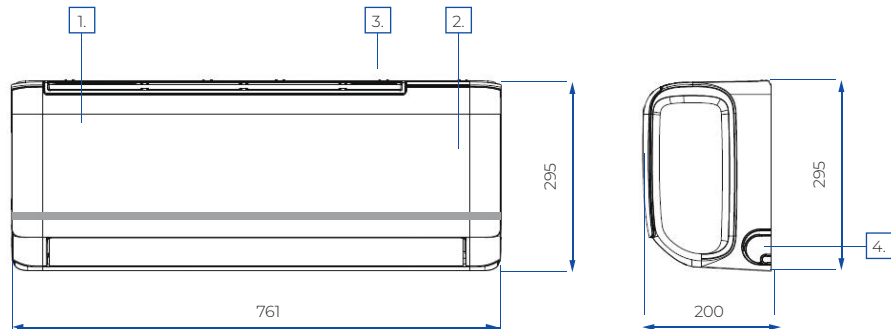
WALL-MOUNTED UNITS RAC

PREMIUM SERIES

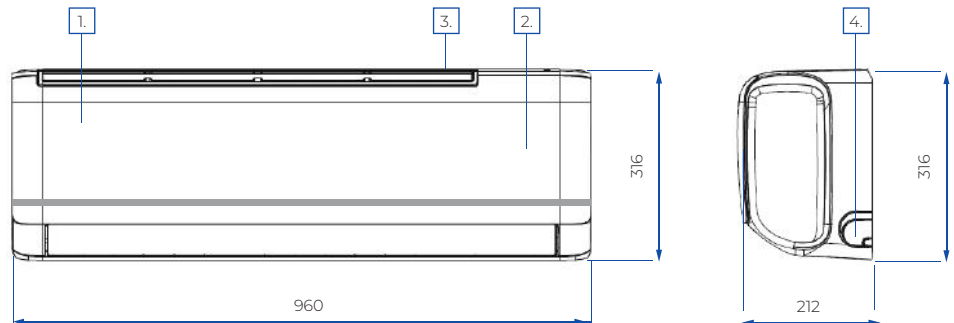
SEV-(09/12)QP/I SEV-(18/24)QV/I



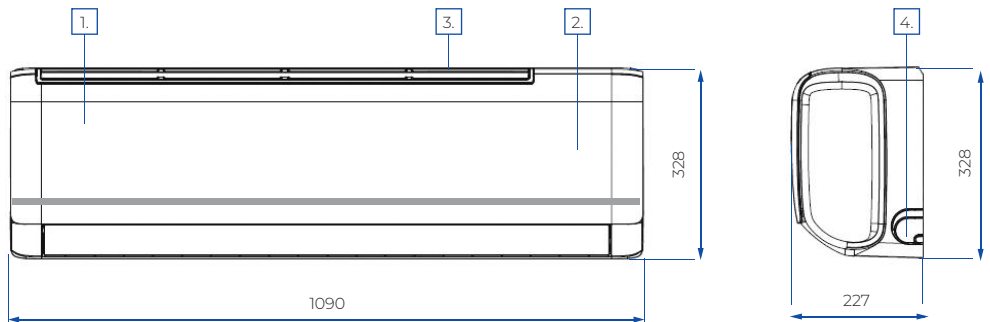
9K, 12K
SEV-(09/12)QP/I



18K
SEV-18QV/I



24K
SEV-18QV/I



1 - Front Panel
2 - Display

3 - Air Intake Grille
4 - Opening for Refrigerant Pipes and Condensate Drain



MULTI

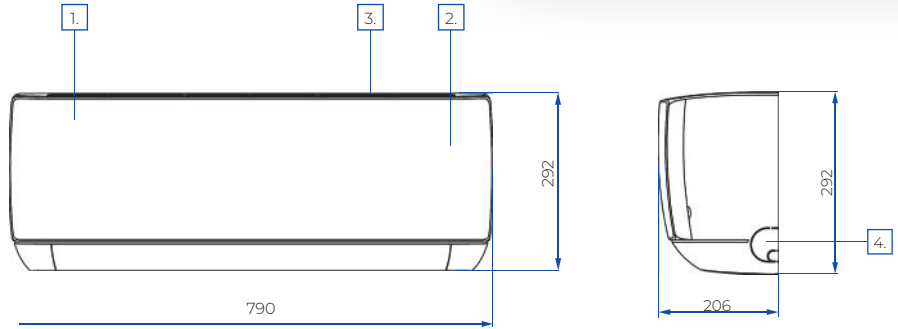


MULTI UNITS WALL-MOUNTED

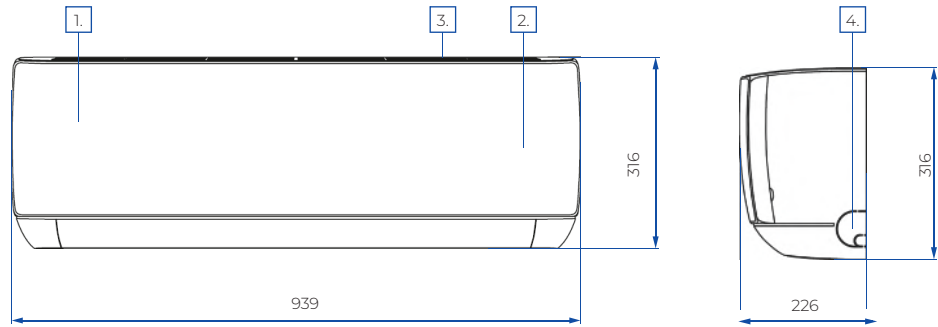
SEV-(09/12/18/24)JO/I



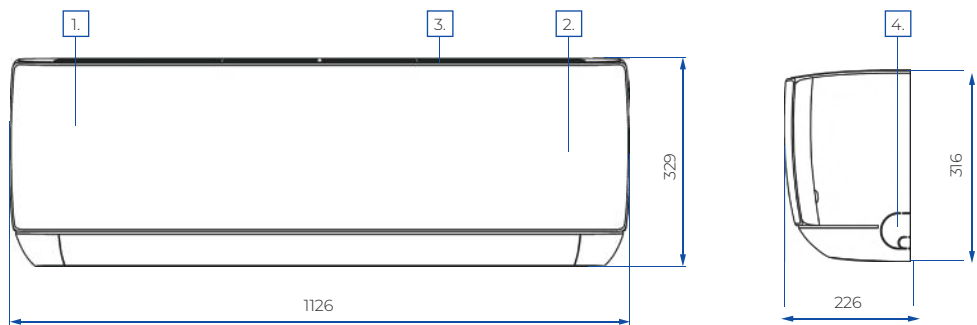
9K, 12K
SEV-(09/12)JO/I



18K
SEV-18JO/I



24K
SEV-24FV/I



1 - Front Panel
2 - Display

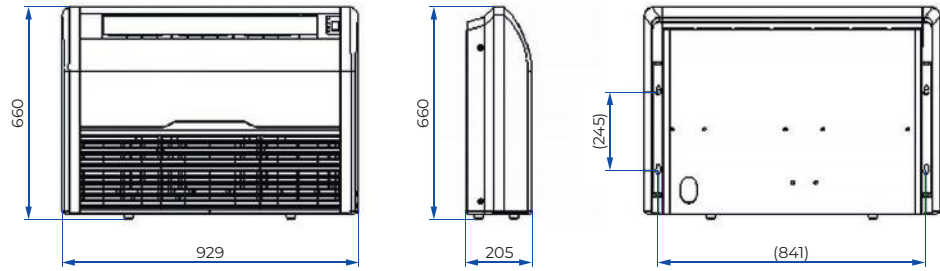
3 - Air Intake Grille
4 - Opening for Refrigerant Pipes and Condensate Drain

MULTI UNITS FLOOR-CEILING UNITS

SEV-(09/12/18)MF



9K, 12K, 18K
SEV-(09/12/18)MF

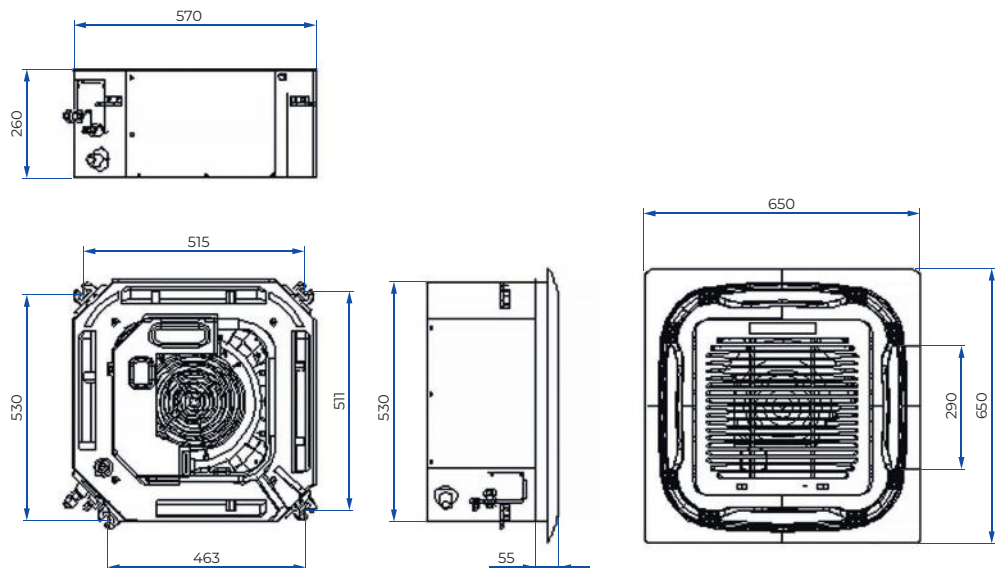


MULTI UNITS CASSETTE UNITS

SEV-(09/12/18)MC



9K, 12K, 18K
SEV-(09/12/18)MC

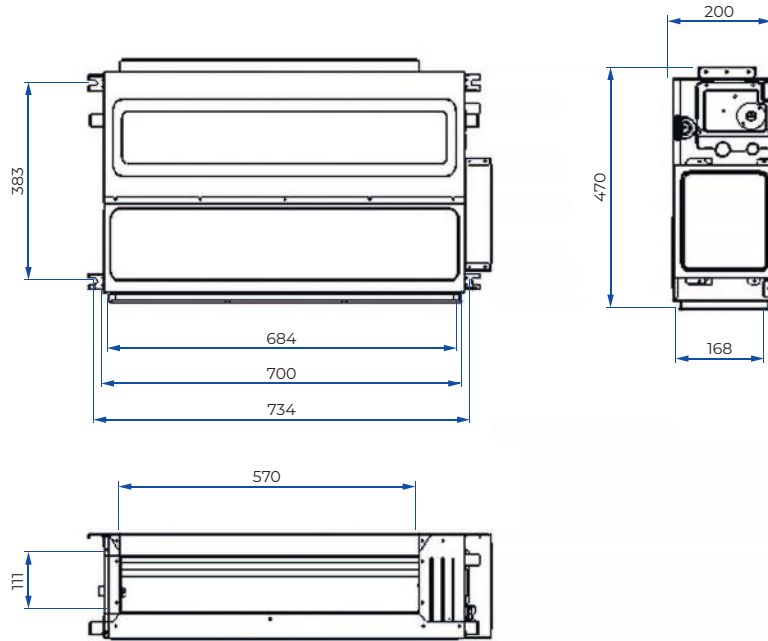


MULTI UNITS CANAL UNITS

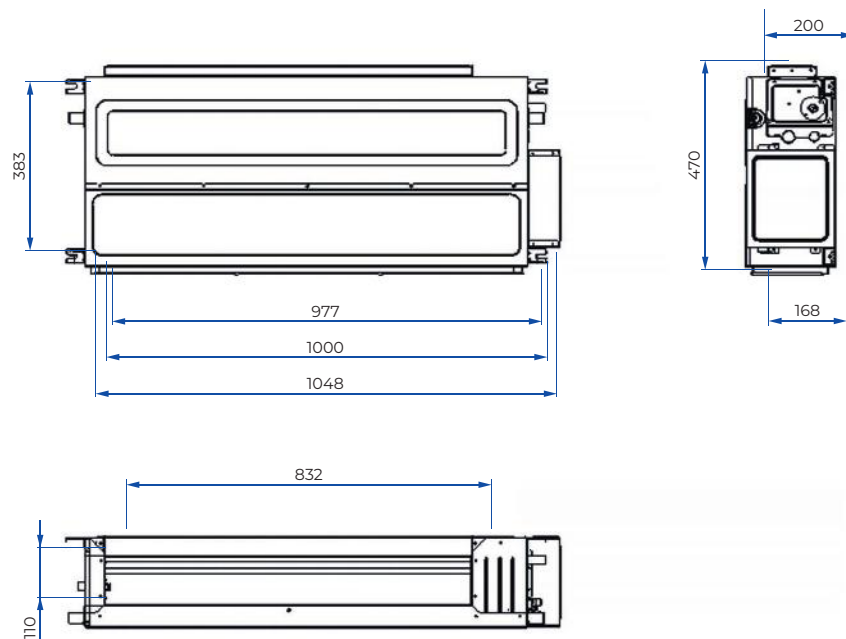
SEV-(09/12/18)JF



07K, 09K, 12K
SEV-(07/09/12)MD

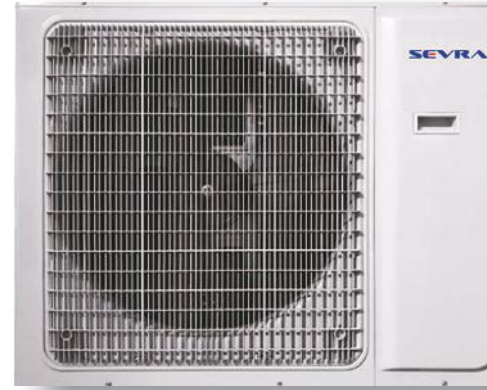


18K
SEV-18MD

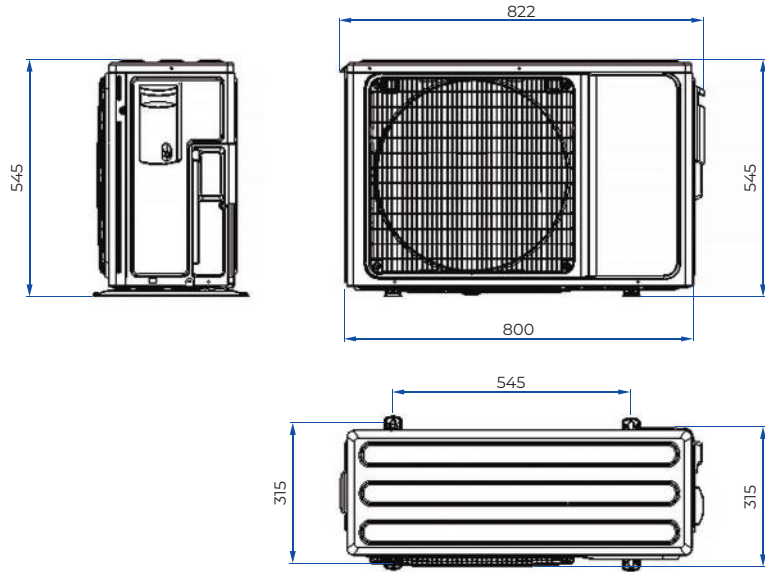


MULTI UNITS OUTDOOR UNITS

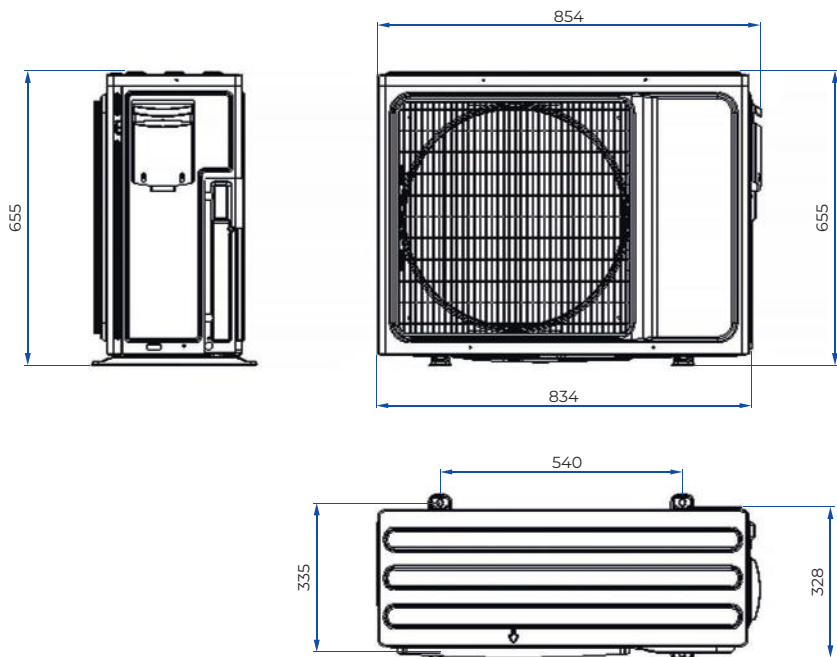
SEV-2M(14/18), SEV-3M(21/27), SEV-4M36,
SEV-5M42



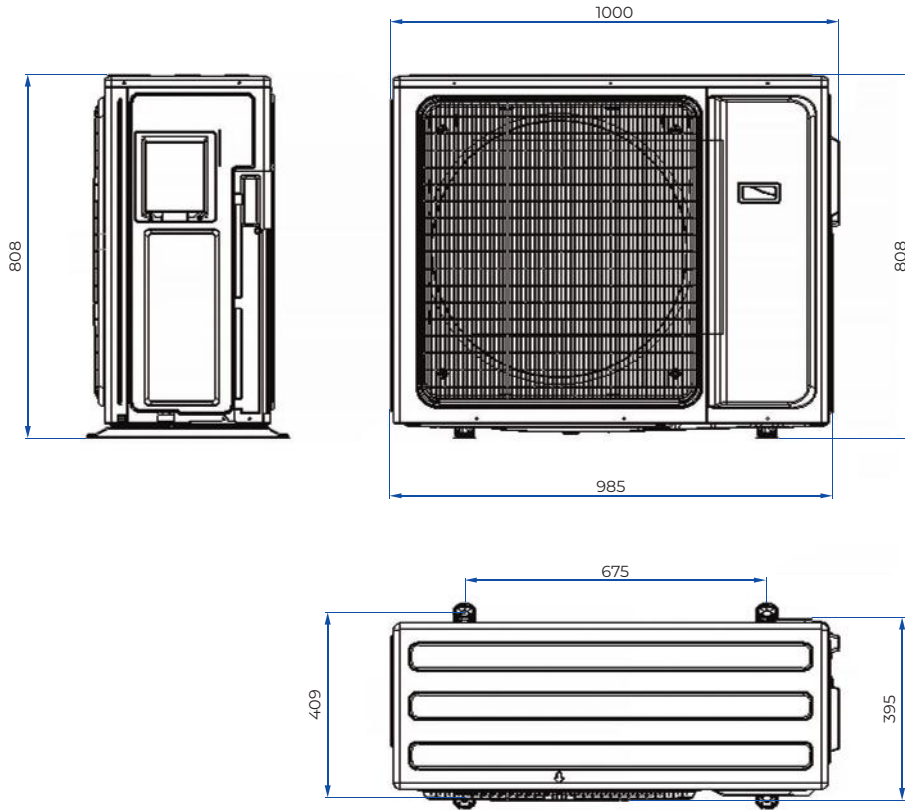
14K, 18K
SEV-2M(14/18)



21K, 27K
SEV-3M(21/27)



36K, 42K
SEV-4M36, SEV-5M42



Cooling Capacity [kBtu/h]		14K	18K	21K	27K	36K	42K
Pipe Connections (mm)	Liquid	Ø6,35 x 2	Ø6,35 x 2	Ø9,52 x 3	Ø9,52 x 3	Ø9,52 x 4	Ø9,52 x 5
	Gas	Ø9,52 x 2	Ø9,52 x 2	Ø15,88 x 3	Ø15,88 x 3	Ø15,88 x 4	Ø15,88 x 5
Total piping length [m]		40	40	60	60	80	80
Length of single branch [m]		25	25	30	30	35	35
Maximum height difference between indoor and outdoor unit [m]		15	15	15	15	15	15
Maximum height difference between indoor units [m]		10	10	10	10	10	10



LCAC



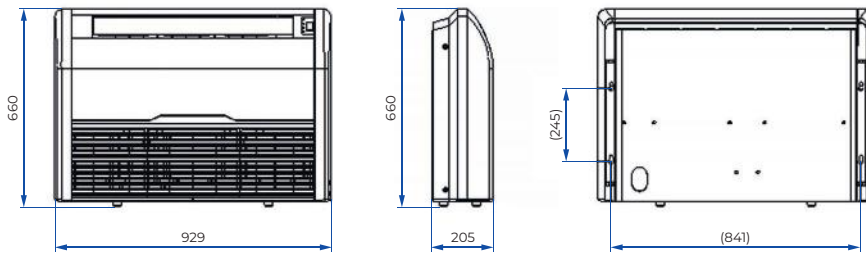
LCAC UNITS FLOOR-CEILING UNITS

SEV-(18/24/36/42/48/60)CAF



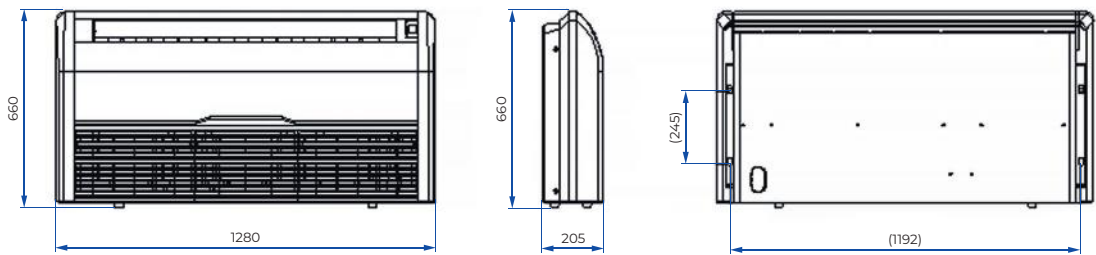
18K

SEV-18CAF

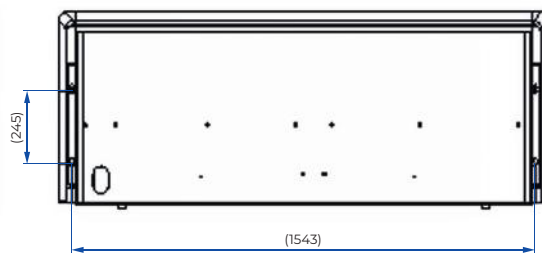
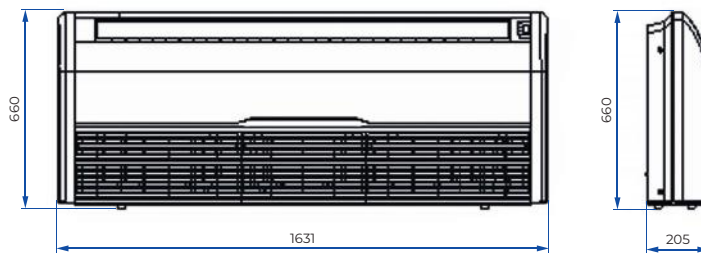


24K

SEV-24CAF



**36K, 42K,
48K, 60K**
SEV-(36/42/
48/60)CAF



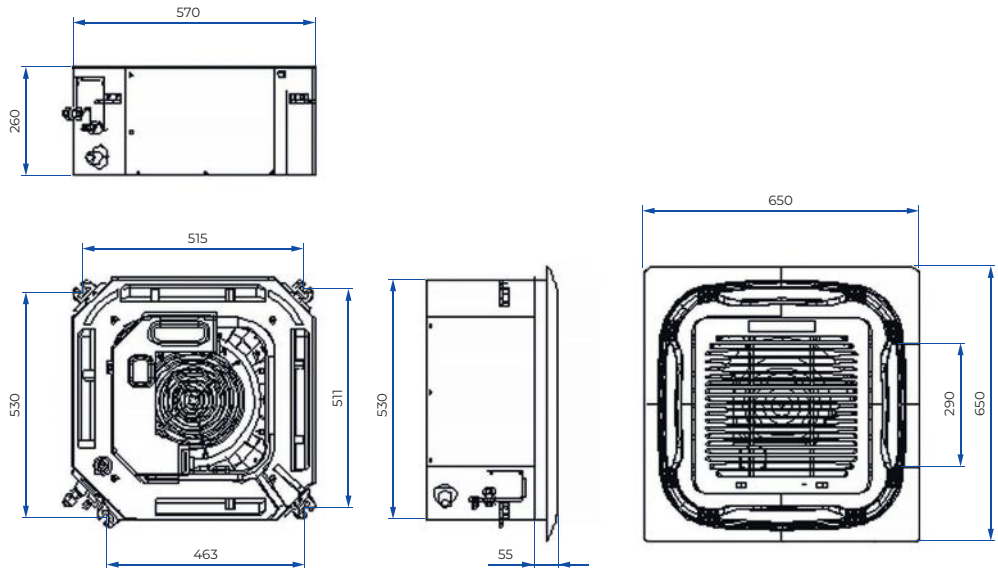
LCAC UNITS

CASSETTE UNITS

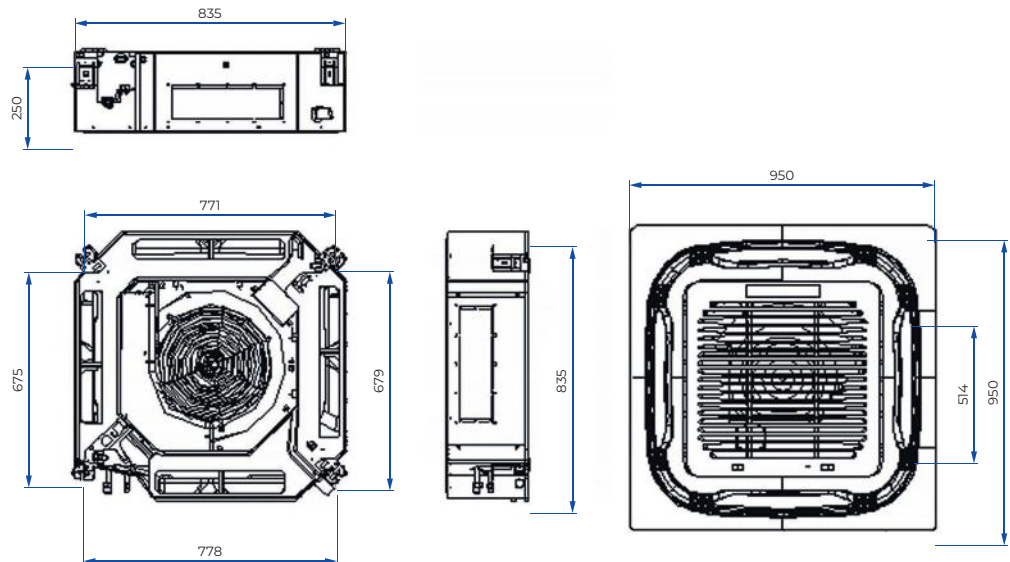
SEV-(12/18/24/36/42/48/60)CAC



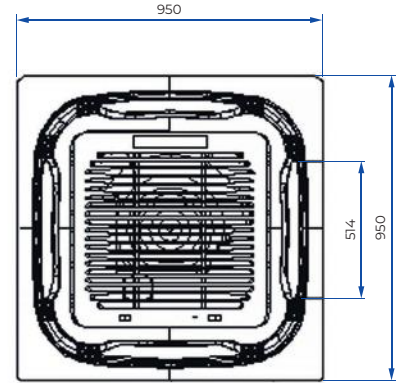
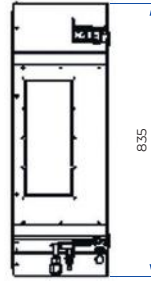
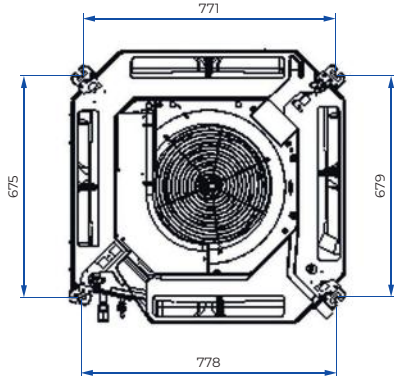
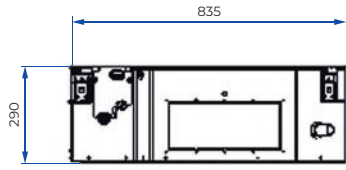
12K, 18K
SEV-(12/18)CAC



24K
SEV-24CAC



**36K, 42K,
48K, 60K**
SEV-(36/42/48/60)CAC

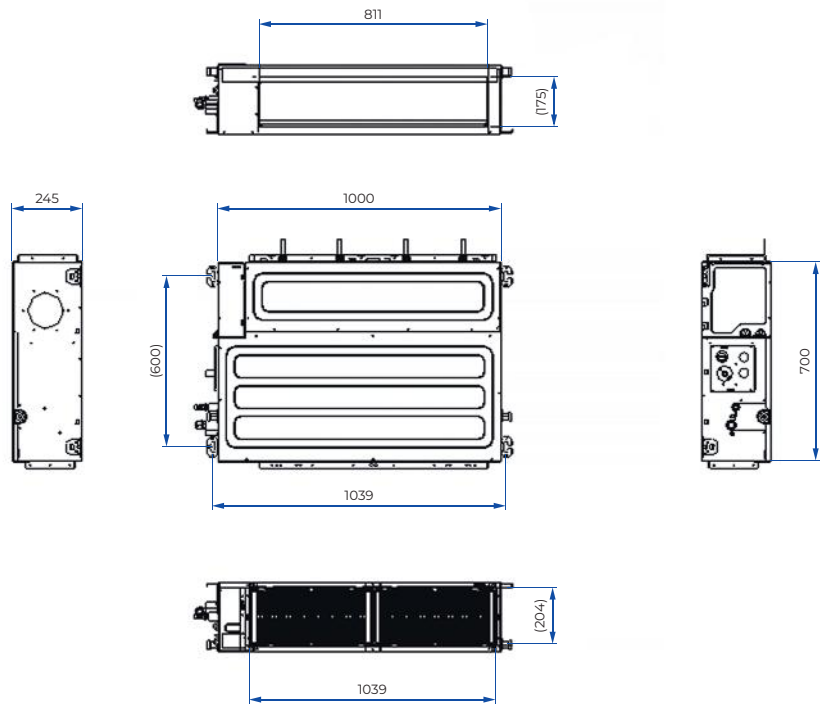


LCAC UNITS CANAL UNITS

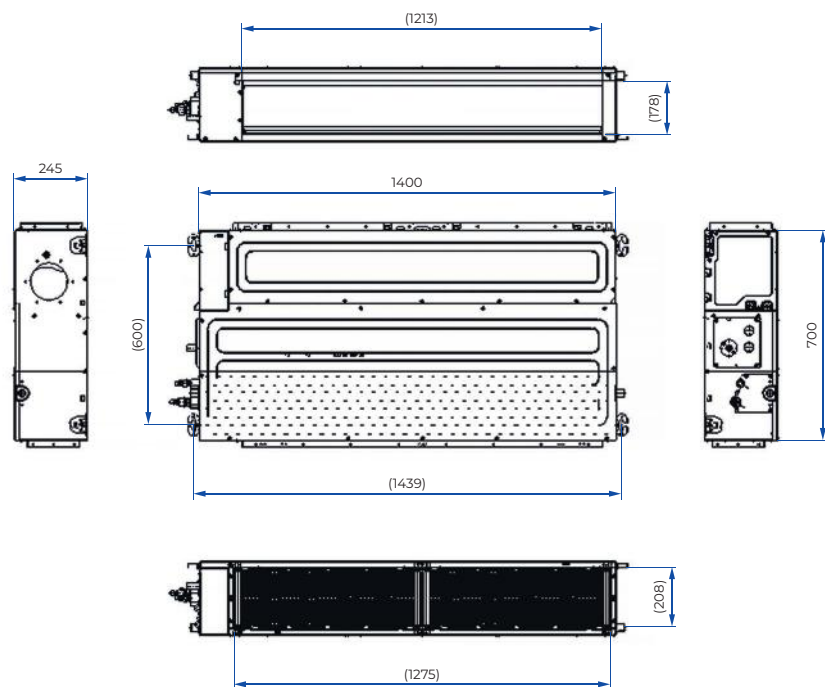
SEV-(18/24/36/42/48/60)CAD



18K, 24K
SEV-(18/24)CAD

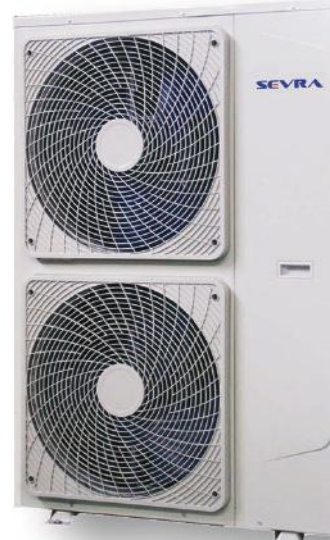


**36K, 42K,
48K, 60K**
SEV-(36/42/48/60)CAD

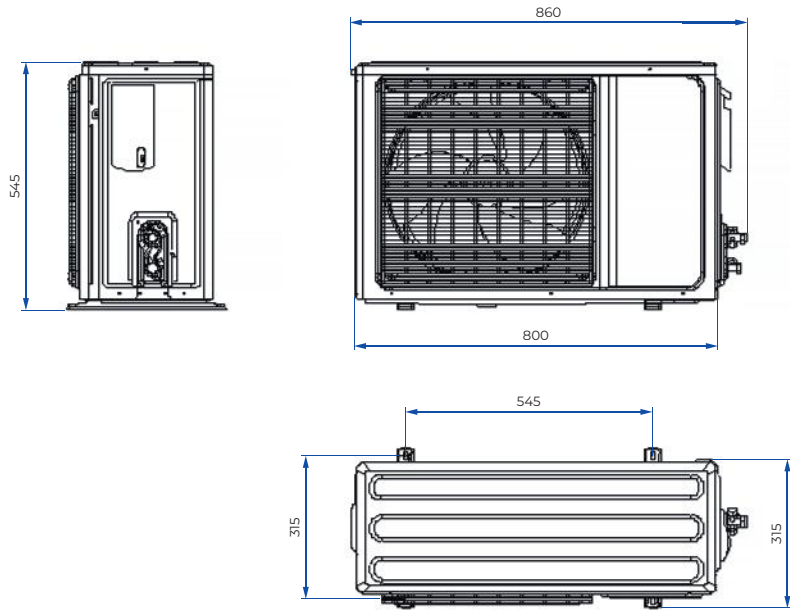


LCAC UNITS OUTDOOR UNITS

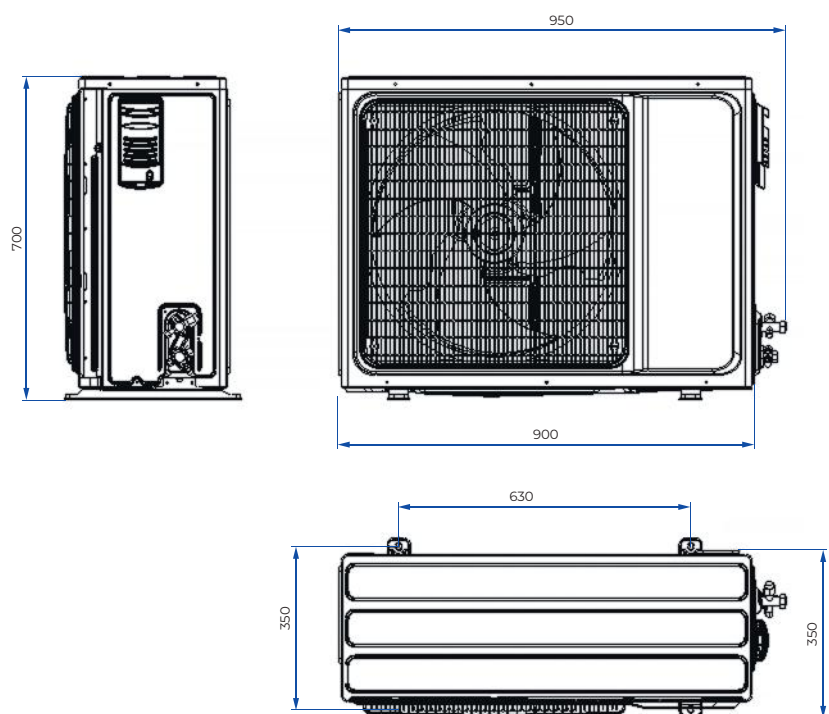
SEV-(12/18/24/36/42/48/60)CAO



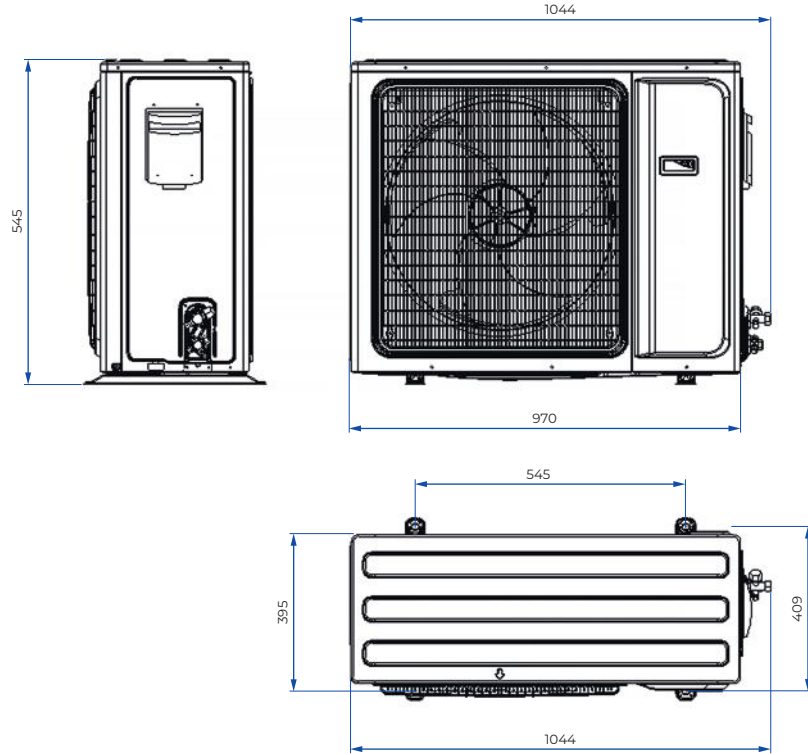
12K, 18K
SEV-(12/18)CAO



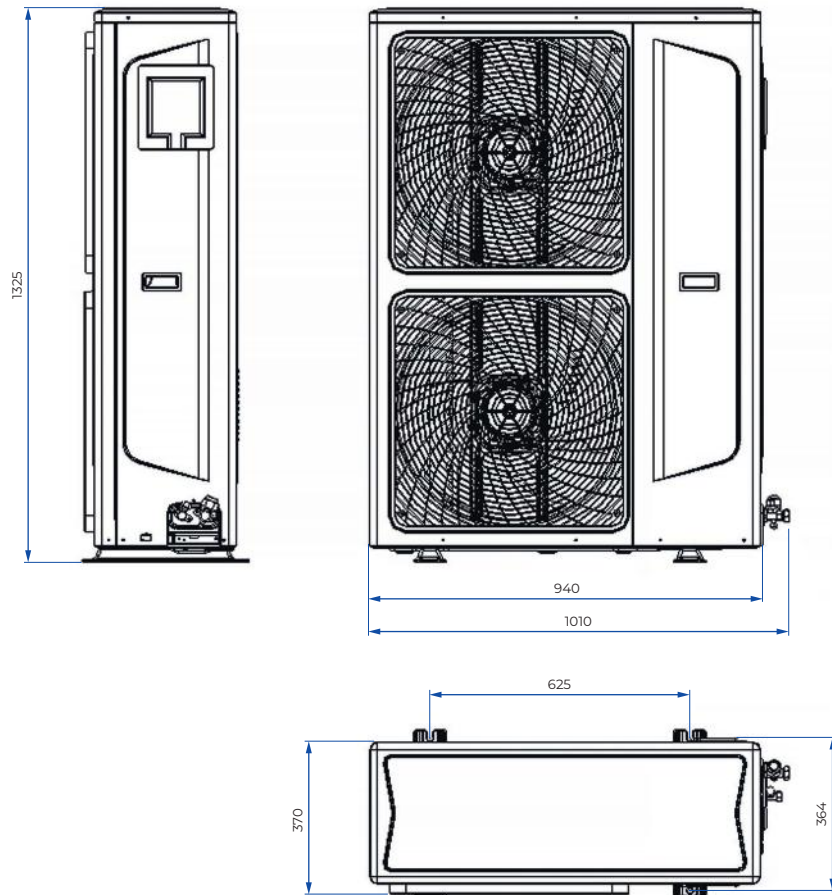
24K
SEV-24CAO



**30K, 36K,
42K**
SEV-(30/36/42)CAO



48K, 60K
SEV-(48/60)CAO





AIR CONDITIONING CATALOG 2024

RAC | Multi Split | LCAC

www.sevra.pl | www.wienkra.pl

WIENKRÄ

Kraków:

ul. Kotlarska 34a, 31-539 Kraków
ul. Rzemieślnicza 20g, 30-347 Kraków
wienkra@wienkra.pl

Warszawa - Janki:

ul. Sokołowska 15, 05-090 Janki
wienkra-waw@wienkra.pl

Wrocław:

Al. Armii Krajowej 61, 50-541 Wrocław
wienkra-wro@wienkra.pl